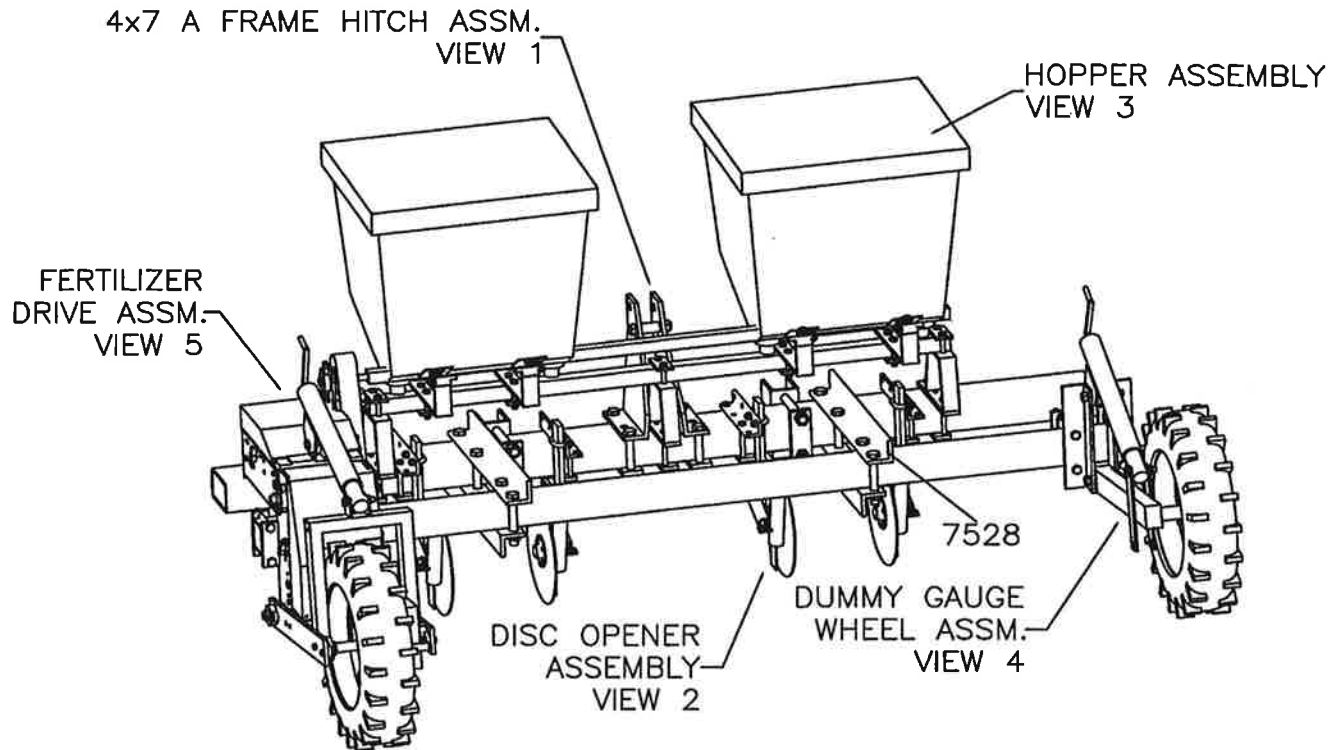
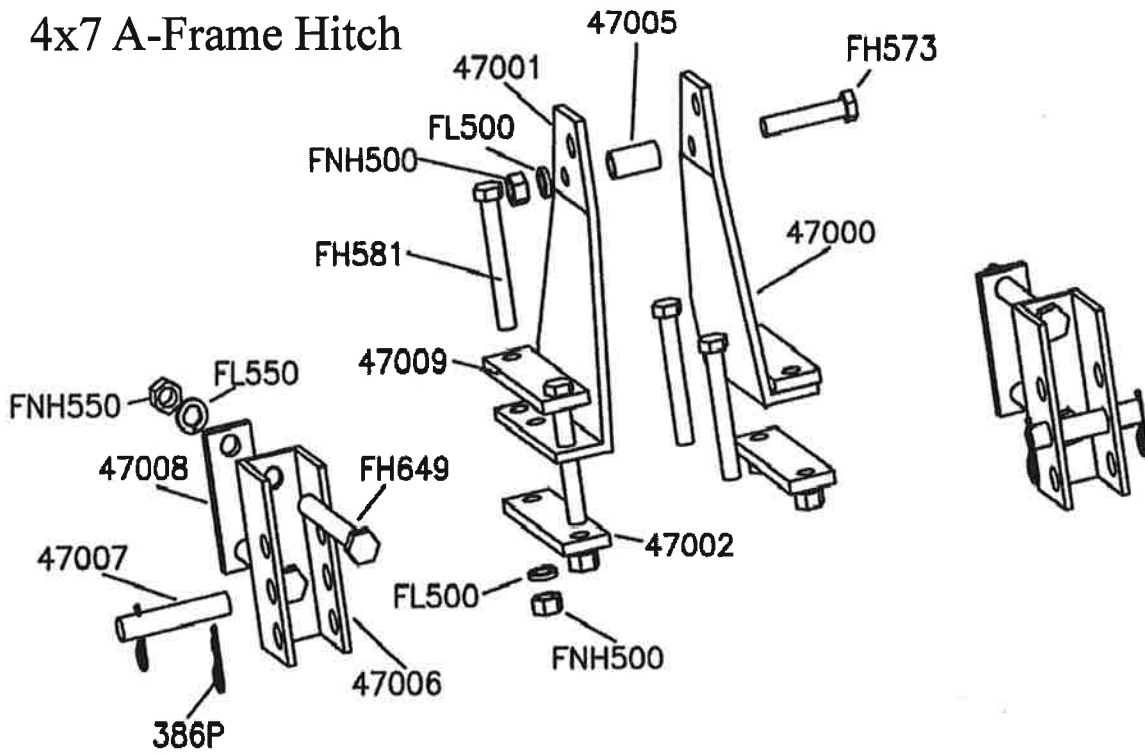


OE-84 & OE-85 Fertilizer Attachment

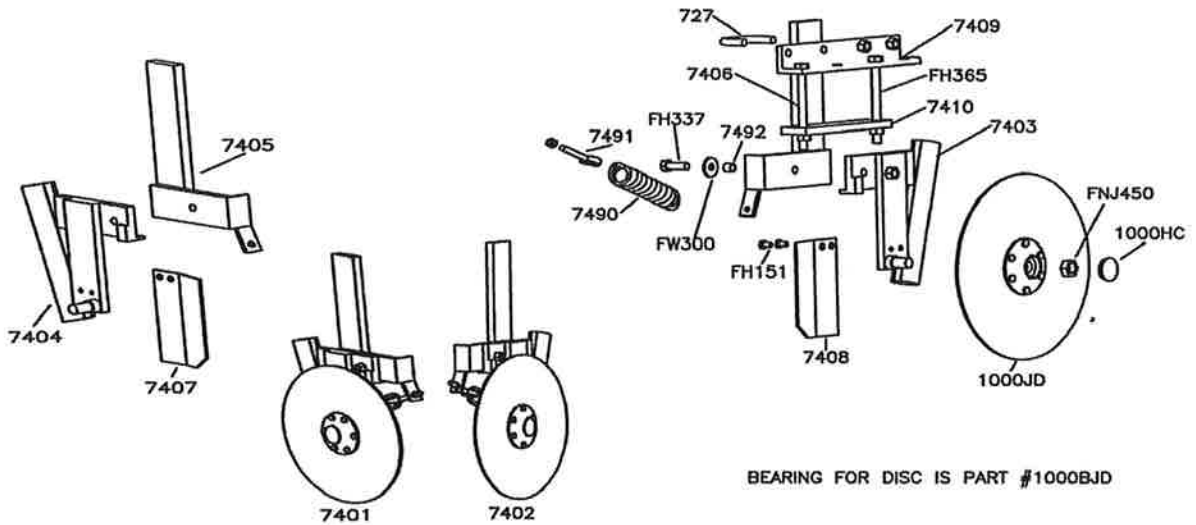


Mechanical Transplanter Company, LLC
1150 Central Avenue Holland, MI 49423
Phone: 616-396-8738 or 800-757-5268 Fax: 616-396-3619
www.mechanicaltransplanter.com
mtc@mechanicaltransplanter.com

View 1
4x7 A-Frame Hitch



View 2
Disc Openers



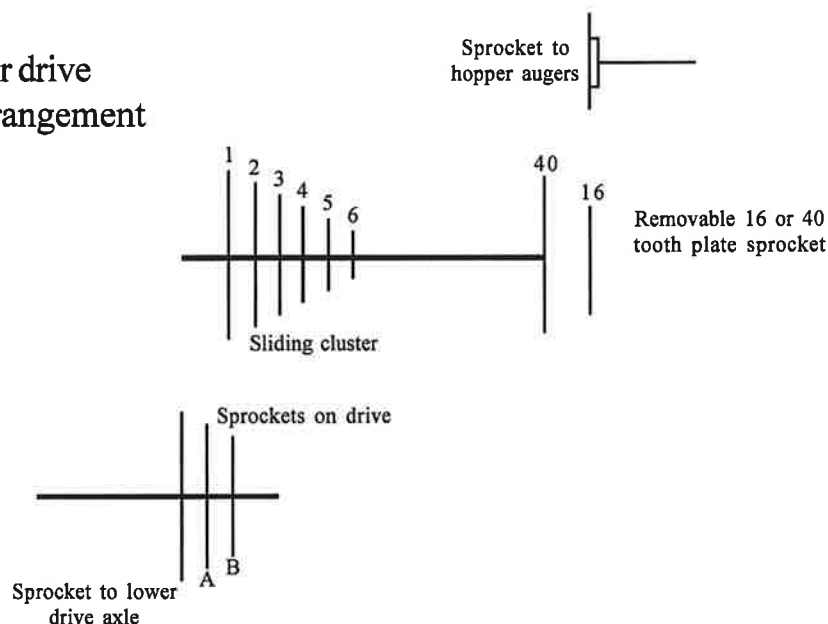
BEARING FOR DISC IS PART #1000BJD

Fertilizer Parts

386P	Shaft pin clip	7502	Auger drive shaft
1000BJD	Bearing for 1000JD	7503	Auger shield
1000HC	Disc hub cap	7504	7/8" Flange block bearing
1000JD	Disc with hub	7505	Hopper cradle bracket
1931	20 Tooth drive sprocket	7506	U-shaped hopper bracket
4731	Bolt with handle for chain guard	7507	Hopper cradle bracket
5010	Hub Assembly for OE-90 drive wheel	7508	Spacer
5011	1-1/4" Flange block bearing	7509	25 Tooth sprocket
5012	Drive wheel chain	7510	Top 3 gear cluster
5014	50 Tooth drive sprocket	7511	16 Tooth sprocket
5015	Main drive wheel frame	7512	40 Tooth sprocket
5016	Drive wheel chain guard	7513	Side plates
5017	Chain tightener arm	7514	Vertical plates
5020	1" Flange block bearing	7515	Top guard
5021	Large chain guard	7516	Side guard
5073	Front toolbar mounting plates	7517	Side guard bracket
5075	Rubber spacer	7518	Top shaft
5078	Six sprocket cluster	7519	Spacer
5081	Three sprocket cluster	7520	Chain tightener bracket
5083	Main frame	7522	Lower horizontal drive wheel chain
5084L	Lower drive shaft	7523	Long vertical chain
5086	Upper drive shaft	7524	Short vertical chain
5086F	Upper fertilizer drive shaft	7526	Bungee assembly
5088	Chain tightener bracket	7528	Large angle irons
5089	2" Roller for chain tightener	47000	Right center upright
5090	7 Coil chain tightener spring	47001	Left center upright
5111	Transtorque bushing	47002	Securing plate for upright
5124	2-1/2" Roller for chain tightener	47005	Pipe spacer
5209	Fender securing plate	47006	Hitch pin bracker
5210	Fender	47007	Hitch pin
5211	Fender mounting bracket	47008	4x7 A-frame side mounting plate
7401	Disc opener assembly complete (left)	47009	Top plate
7402	Disc opener assembly complete (right)	FC209	3/4x1" Carriage bolt
7403	Drop tube assembly (left)	FH111	1/4x1-1/4" Hex head cap screw
7404	Drop tube assembly (right)	FH117	1/4x2" Hex head cap screw
7405	Disc to toolbar bracket (left)	FH121	1/4x2-1/2" Hex head cap screw
7406	Disc to toolbar bracket (right)	FH151	5/16x1/2" Hex head cap screw
7407	Disc scraper (left)	FH163	5/16x1-1/2" Hex head cap screw
7408	Disc scraper (right)	FH209	3/8x1" Hex head cap screw
7410	Flat mounting plate	FH221	3/8x2-1/2" Hex head cap screw
7421	Toolbar support upright	FH337	1/2x1-3/4" Hex head cap screw
7422	Small toolbar mounting plate	FH347	1/2x3" Hex head cap screw
7423	2" Toolbar - 3 foot	FH351	1/2x3-1/2" Hex head cap screw
7423L	2" Toolbar - 6 foot	FH355	1/2x4" Hex head cap screw
7425	21" Hose from hopper	FH357	1/2x4-1/2" Hex head cap screw
7427	Square drive shaft assembly	FH521	5/8x3-1/2" Hex head cap screw
7470	OE 83 right angle iron	FH467	5/8x6-1/2" Hex head cap screw
7471	OE 83 left angle iron	FH525	3/4x4" Hex head cap screw
7472	OE 83 crank jack	FH573	7/8x4-1/2" Hex head cap screw
7474	OE 83 hub arm	FH581	7/8x6-1/2" Hex head cap screw
7475	OE 83 hub complete with bearings	FH649	1x9-1/2" Hex head cap screw
7476	OE 83 bearings and seal for hub	FL500	7/8" Lock washer
7481	OE 83 5.90x15" tire	FL550	1" Lock washer
7482	OE 83 5.90x15" traction tire	FMB550	1" Machinery bushing
7483	OE 83 wheel rim	FNH150	5/16" Finished hex nut
7490	Tension spring	FNH500	7/8" Finished hex nut
7491	5/16x3" eyebolt	FNH550	1" Finished hex nut
7492	1/2" Metal bearing	FNJ300	1/2" Hex jam nut
7500	Hopper	FNJ450	3/4" Hex jam nut
7501	Auger for hopper	FW300	1/2" U.S.S. flat washer
		FWB399	9/16x1-3/4" Wheel stud bolt

Rate chart for OE 84 & OE 85 Fertilizer Attachment

Fertilizer drive sprocket arrangement



Sprocket setup	48" Rows	42" Rows	40" Rows	36" Rows
A1-16	208	238	250	278
B1-16	180	206	217	241
A2-16	227	259	273	303
B2-16	198	226	238	264
A3-16	260	297	313	347
B3-16	236	270	284	315
A4-16	299	342	260	400
B4-16	266	304	320	355
A5-16	349	400	421	467
B5-16	322	369	388	431
A6-16	435	498	524	582
B6-16	394	451	475	527
A1-40	502	575	605	672
B1-40	444	508	535	594
A2-40	573	656	690	766
B2-40	490	561	590	655
A3-40	602	689	725	805
B3-40	519	594	625	694
A4-40	730	836	880	977
B4-40	643	736	775	860
A5-40	877	1004	1057	1173
B5-40	776	888	935	1038
A6-40	1094	1252	1318	1463
B6-40	955	1093	1150	1277

Fertilizers have many weight variations. Since the fertilizer attachment measures volume, not weight, there can be as much as 100% variation from the weight chart calculations.

To check the exact number of pounds of fertilizer that will be delivered for 40 inch row spacing, proceed as follows:

Run both output tubes from the fertilizer hopper and attach a sack, or other suitable container under the opening in the hopper. Engage the fertilizer attachment and drive forward 100 feet. Weigh the amount of fertilizer caught in the container and multiply that amount by 100 (see factors below). The result will be the number of pounds of fertilizer delivered per acre.

Factors for converting:

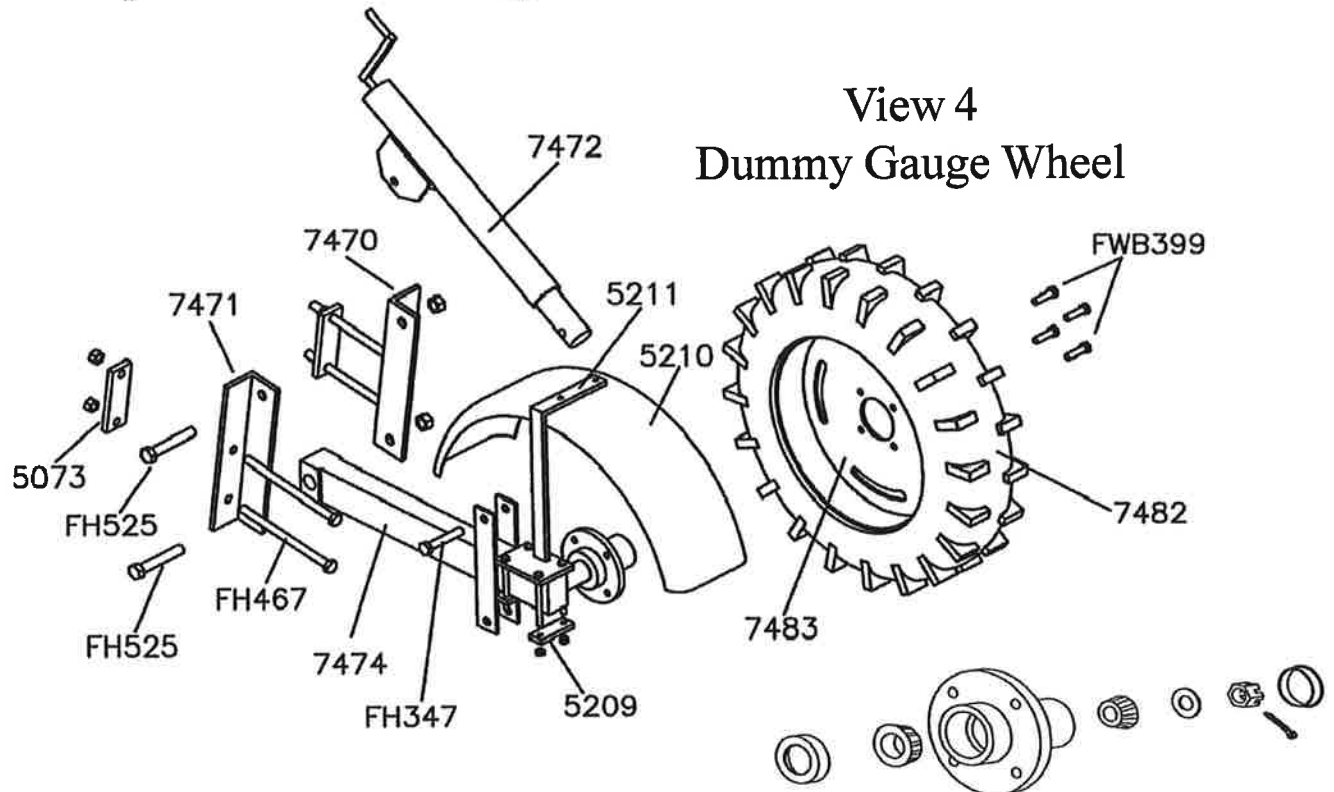
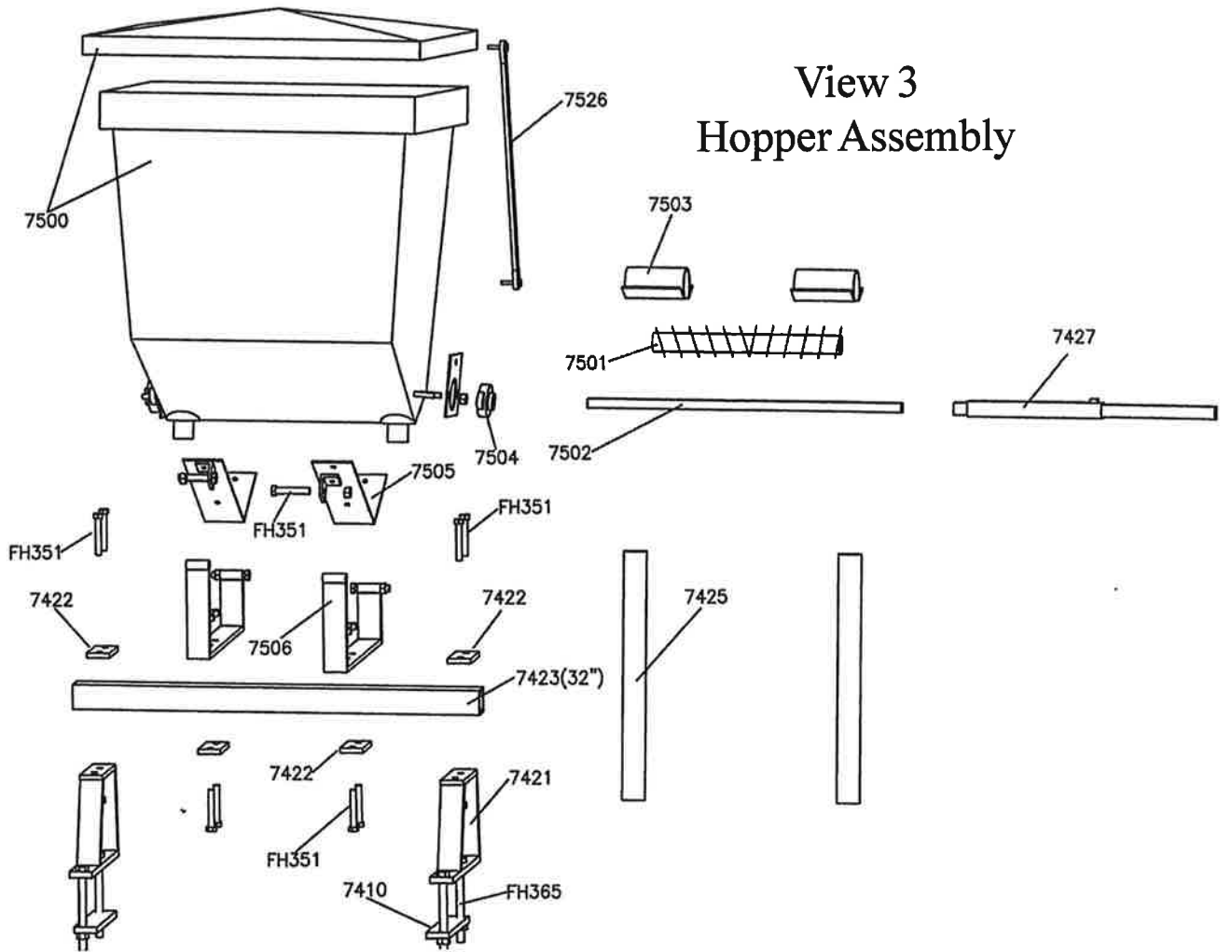
36" rows, multiply by 1.11

42" rows, multiply by .95

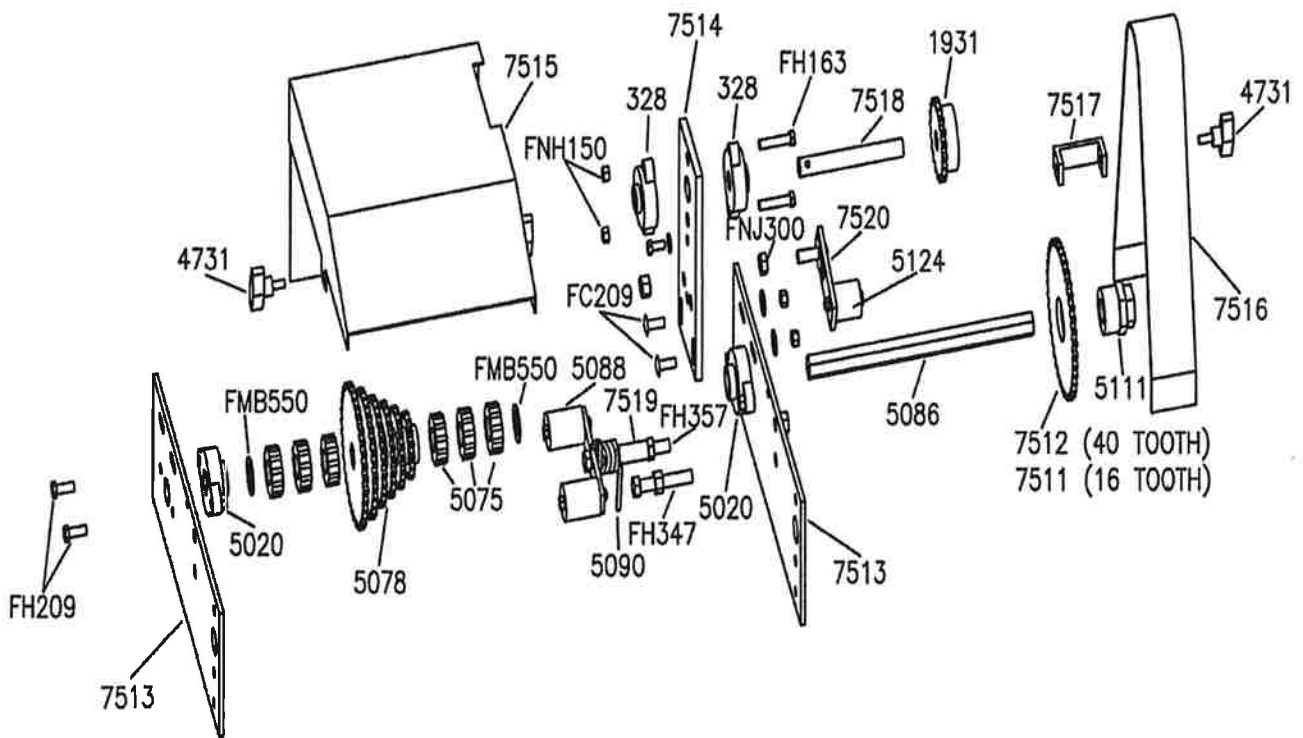
48" rows, multiply by .83

Keep fertilizer in a dry place. Most fertilizers readily accumulate moisture and cause metal to corrode.

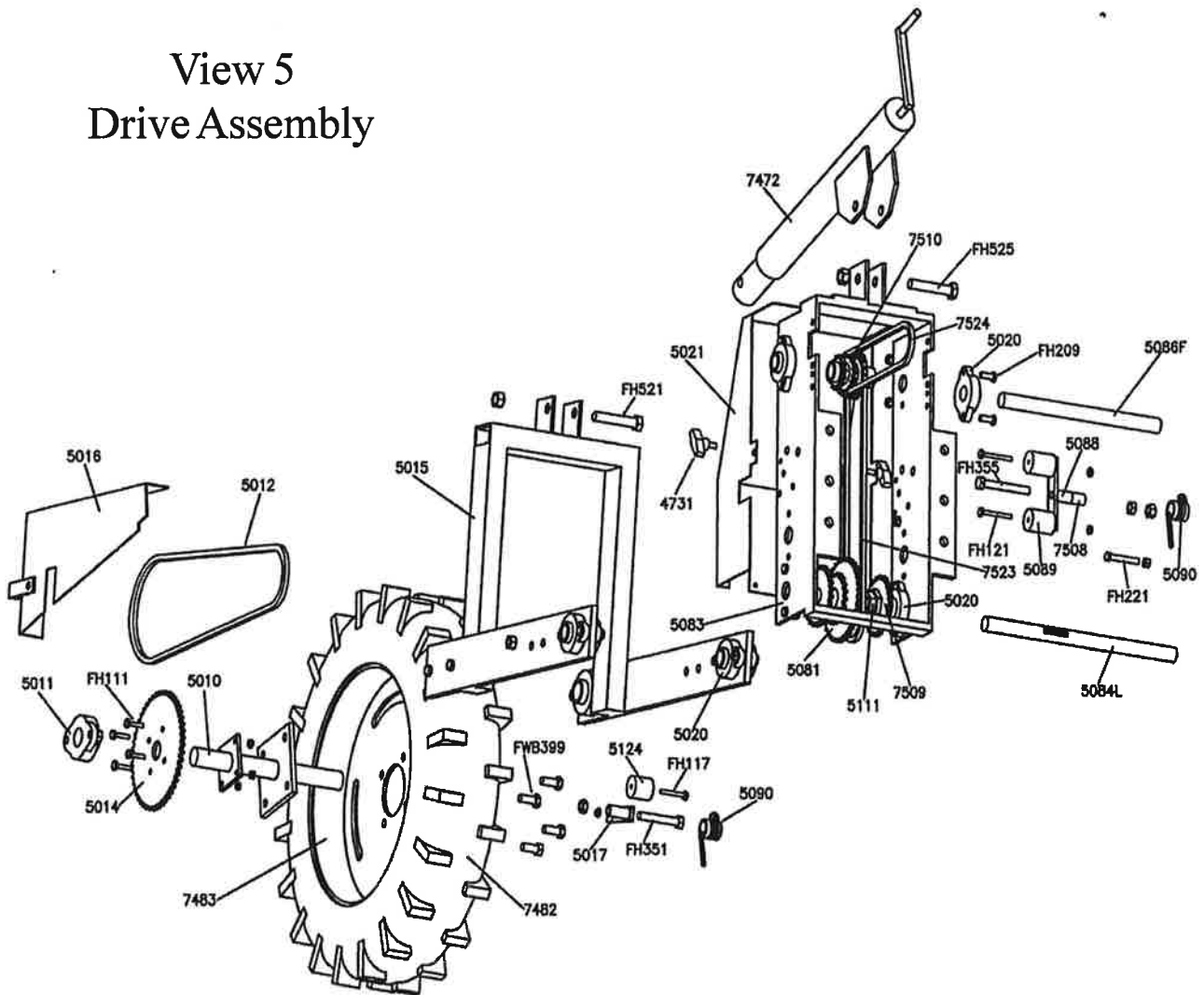
Corrosion shortens metal life because of binding or "freezing." Deposits of fertilizer will build up in the hopper and interfere with working parts. The hoppers should be cleaned after every use.



COMPLETE HUB ASSEMBLY - PART #7475
BEARINGS AND SEALS - PART #7476



View 5
Drive Assembly



Safety Precautions

1. Make sure tractor is stopped and in neutral with the transplanter lowered to the ground before getting on and off the unit.
2. No operator is allowed to be on the unit as it is raised and lowered.
3. No operator is allowed on the transplanter as it is transported to or from the field.
4. All operators must be seated before movement begins and remain seated until the transplanter is completely stopped.
5. Never leave the transplanter in the raised position.
6. Keep all shields and guards in place when operating the transplanter.
7. Never attempt repairs or maintenance while the transplanter is in motion.
8. Never put the tractor in reverse while the transplanter is on the ground.
9. Follow all safety instructions supplied by the tractor manufacturer to which the transplanter is mounted.

MACHINE IMPROVEMENTS

MECHANICAL TRANSPLANTER CO. IS ALWAYS STRIVING TO MAKE IMPROVEMENTS ON THEIR LINE OF EQUIPMENT. MECHANICAL TRANSPLANTER CO. RESERVES THE RIGHT TO MAKE IMPROVEMENTS AND CHANGES AT ANY TIME WITHOUT INCURRING OBLIGATIONS TO MAKE SUCH CHANGES OR ADDITIONS TO EQUIPMENT PREVIOUSLY SOLD.

Limited Warranty

Mechanical Transplanter Company warrants each item of new equipment manufactured by Mechanical to be free from defects in material and workmanship under normal use and service.

The obligation of Mechanical Transplanter Company under this LIMITED WARRANTY is limited to repairing or replacing as Mechanical may elect, and any parts that prove, in Mechanical's judgment, to be defective in material and workmanship within the first season's use or 45 consecutive days after initially placing equipment in operation, whichever occurs first. Any outside work or alterations without Mechanical's written approval will render the LIMITED WARRANTY void.

Mechanical's obligation specifically excludes any liability for consequential damages, such as loss of profits, delays, expenses, damage to goods or property used in connection with or processed in or by the product sold, or damage to the product sold from whatsoever cause, whether or not such loss is due to negligence of selling dealer of Mechanical Transplanter Company.

This limited warranty shall not apply to any item or machine which shall have been operated in a manner not recommended by the Company nor which shall have been repaired, altered, misused, damaged in an accident, neglected, tampered with or used in any way which in the Company's opinion adversely affects its performance and results.

No person is authorized to give any other warranties or to assume any other liability on behalf of Mechanical Transplanter Company, unless made in writing by Mechanical.

This limited warranty covers repair or replacement of Mechanical Transplanter Co. equipment only and does not cover crop loss, downtime, labor, damage to other equipment, etc.

This limited warranty does not apply to exterior finishes, tires, chain links, bearings, or any other items sold by Mechanical Transplanter Co., but warranted by the original manufacturer except to the extent of their individual manufacturer's warranty.

THIS LIMITED WARRANT IS IN LIEU OF ALL OTHER WARRANTIES, EXPRESSED OR IMPLIED. WARRANTIES OF MERCHANT ABILITY AND FITNESS FOR PARTICULAR PURPOSE ARE EXCLUDED, AS ARE ALL OTHER REPRESENTATIONS TO THE USER-PURCHASER, AND ALL OTHER OBLIGATIONS OR LIABILITIES, INCLUDING LIABILITY FOR INCIDENTAL AND CONSEQUENTIAL DAMAGES, ON THE PART OF MECHANICAL OR THE SELLER.

Parts for fertilizer

Parts in box

- 2 - Hoses
- 2 - Angle irons (3x3x1/2")
- 2 - Toolbar mounts (1/2x2x9")
- 2 - Rubber straps
- 1 - Adjustable drive shaft
- 1 - Toolbar (32")
- 1 - Hardware bag #1
- 1 - Hardware bag #2

Hardware bag #1

- 4 - 7/8x6-1/2" Hex head bolt
- 4 - 1/2x6" Hex head bolt
- 6 - 1/4x1-1/2" Hex head bolt
- 4 - 2" U-bolt

Hardware bag #2

- 10 - 1/4" Hex nuts
- 12 - 1/2" Hex nuts
- 4 - 7/8" Hex nuts
- 6 - Fender washers (1/4x1")
- 4 - 7/8" Lock washers
- 4 - Hose clamps