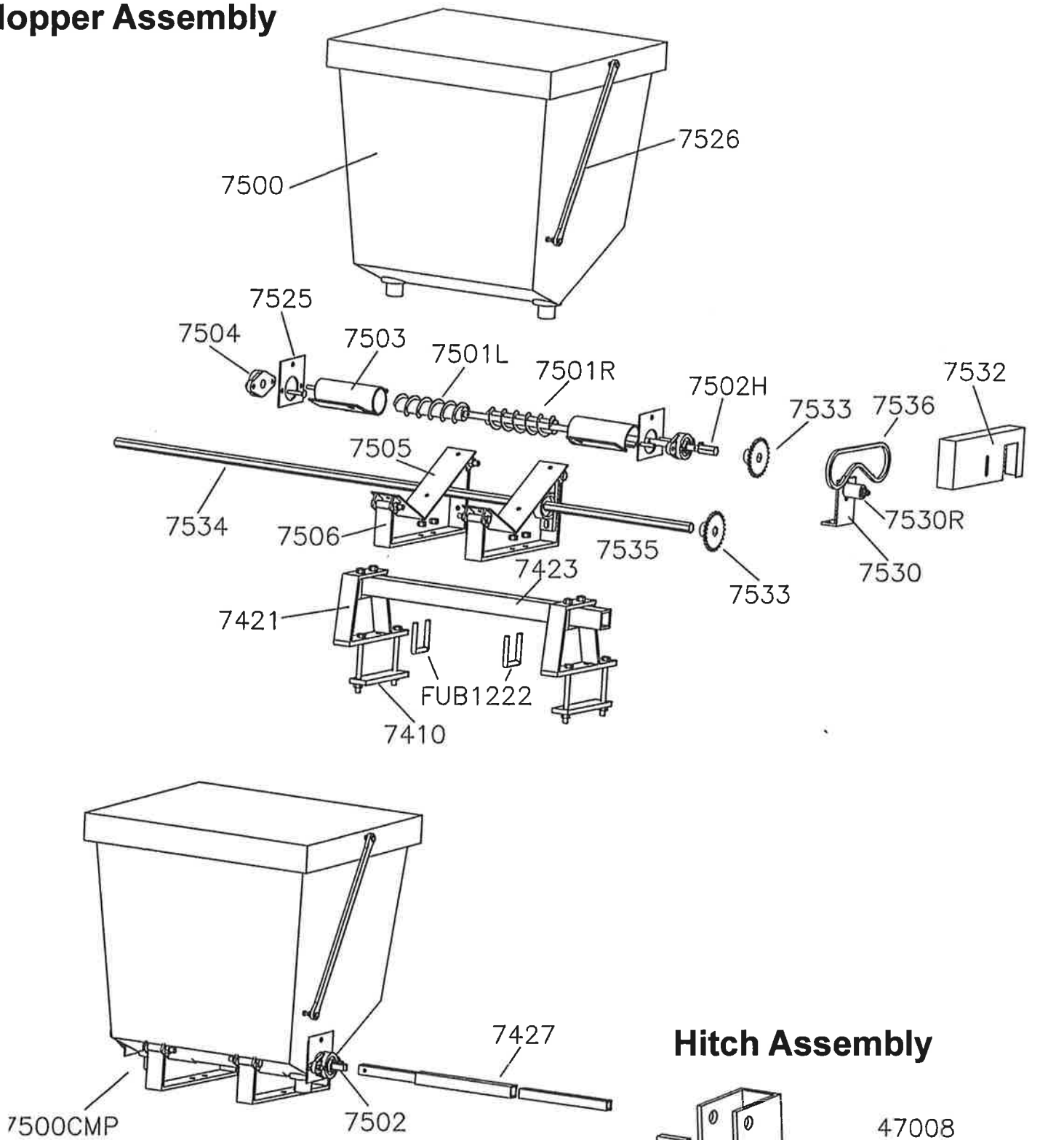


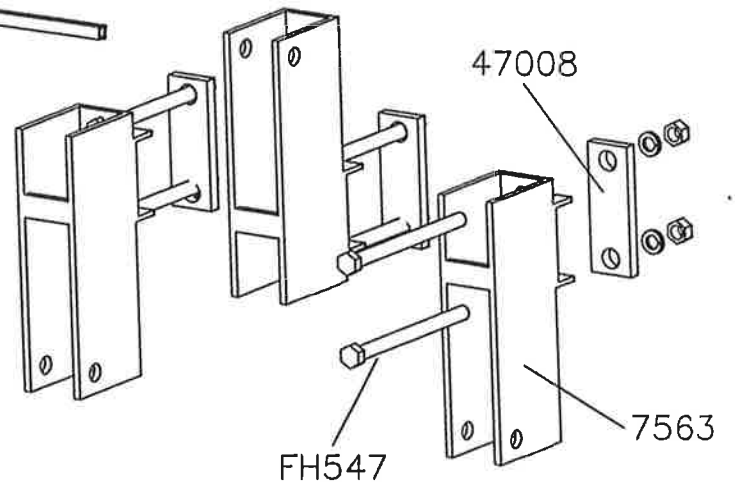
## Fertilizer Side-Dresser

<b>634</b>	Cultivator tooth	<b>7502</b>	Auger drive shaft
<b>634U</b>	1/2" U-bolt	<b>7502H</b>	Auger drive shaft with hex end
<b>635</b>	Small clamp	<b>7503</b>	Auger cover
<b>661</b>	Left cultivator arm	<b>7504</b>	7/8" Flange block bearing
<b>662</b>	Right cultivator arm	<b>7505</b>	Hopper cradle bracket
<b>725</b>	Long diamond 1/2" U-bolt	<b>7506</b>	U-Shaped hopper bracket
<b>726U</b>	Short diamond 1/2" U-bolt	<b>7525</b>	Spill over plate with bolts
<b>1000D</b>	Disc with 5/8" bearing	<b>7526</b>	Bungee assembly
<b>1000FW34</b>	Dirt cover for 3/4" shaft	<b>7530</b>	Auger drive chain tightener brack
<b>1000FW58</b>	Dirt cover for 5/8" shaft	<b>7530R</b>	Auger drive chain roller
<b>1000JD</b>	Disc with 3/4" bearing	<b>7532</b>	Auger drive chain guard
<b>4731</b>	Bolt with handle	<b>7533</b>	25 Tooth gear for box shaft
<b>5010</b>	Hub for drive wheel	<b>7534</b>	Hopper hex drive shaft
<b>5011</b>	1-1/4" Flange block bearing	<b>7535</b>	Hex drive shaft bearing
<b>5014</b>	50 tooth drive sprocket	<b>7536</b>	Auger drive shaft
<b>5015</b>	Main drive wheel frame	<b>7537</b>	Shaft extension plate on drive
<b>5016</b>	Rear drive sprocket chain guard	<b>7538</b>	Drive shaft chain tightener
<b>5017</b>	Chain tightener arm	<b>7539</b>	Drive shaft chain guard
<b>5021</b>	Large chain guard	<b>7550</b>	Knife opener
<b>5073</b>	4x4 & 4x7 Securing plates	<b>7551</b>	Shank for knife opener
<b>5075</b>	Rubber spacer	<b>7552</b>	Drop tube mounting bracket
<b>5078</b>	Six sprocket cluster	<b>7553</b>	Drop tube securing plate
<b>5083</b>	Drive frame	<b>7554</b>	FSD Drop tube
<b>5087</b>	Front chain guard	<b>7558</b>	Upper hex shaft in drive
<b>5090</b>	7 Coil chain tightener spring	<b>7559</b>	Lower hex shaft in drive
<b>5090R</b>	Left hand chain tightener spring	<b>7560</b>	4" Chain tightener roller
<b>5091</b>	Drive wheel chain	<b>7561</b>	16 Tooth gear for hex shaft
<b>5092</b>	Chain tightener bracket	<b>7562</b>	FSD Gear box chain
<b>5093</b>	5 Coil chain tightener spring	<b>7563</b>	3-Point Hitch bracket
<b>5113</b>	7/8" Hex flange block bearing	<b>7564</b>	Left FSD Disc opener
<b>5124</b>	1-1/2" Chain tightener roller	<b>7565</b>	Right FSD Disc opener
<b>7403</b>	Drop tube assembly (left)	<b>7566</b>	FSD Disc opener shank (left)
<b>7404</b>	Drop tube assembly (right)	<b>7567</b>	FSD Disc opener shank (right)
<b>7407</b>	Disc scraper (left)	<b>7570</b>	Cultivator extension arm
<b>7408</b>	Disc scraper (right)	<b>47008</b>	4 x 7 Mounting plate
<b>7409</b>	Angle iron mounting bracket	<b>FC343</b>	1/2 x 2-1/2" Carriage bolt
<b>7410</b>	Flat mounting plate	<b>FH151</b>	5/16 x 1/2 Hex head cap screw
<b>7421</b>	Toolbar support upright	<b>FH111</b>	1/4 x 1-1/4 Hex head cap screw
<b>7423</b>	2 x 2 x 36 Toolbar	<b>FH337</b>	1/2 x 2 Hex head cap screw
<b>7427</b>	Square drive shaft assembly	<b>FH347</b>	1/2 x 3 Hex head cap screw
<b>7470</b>	#OE 83 Right angle iron	<b>FH363</b>	1/2 x 6 Hex head cap screw
<b>7471</b>	#OE 83 Left angle iron	<b>FH365</b>	1/2 x 6-1/2 Hex head cap screw
<b>7472</b>	Crank jack	<b>FH371</b>	1/2 x 8 Hex head cap screw
<b>7474</b>	#OE Hub arm only	<b>FH443</b>	5/8 x 3-1/2 Hex head cap screw
<b>7482</b>	5.90 x 15" Traction tire	<b>FH467</b>	5/8 x 6-1/2 Hex head cap screw
<b>7483</b>	15" Wheel rim	<b>FH479</b>	5/8 x 9-1/2 Hex head cap screw
<b>7490</b>	Tension spring	<b>FH525</b>	3/4 x 4 Hex head cap screw
<b>7491</b>	5/16 x 3 Eye bolt	<b>FH547</b>	3/4 x 9-1/2 Hex head cap screw
<b>7492</b>	1/2" Metal bearing	<b>FNJ400</b>	5/8" Hex jam nut
<b>7500</b>	Hopper with lid	<b>FNJ450</b>	3/4" Hex jam nut
<b>7500CMP</b>	Hopper and auger assembly	<b>FUB1222</b>	1/2" U-bolt for 2 x 2 bar
<b>7501L</b>	Left auger	<b>FW300</b>	1/2" U.S.S. Flat washer
<b>7501R</b>	Right auger	<b>FWB399</b>	9/16 x 1-3/4 Wheel stud bolt

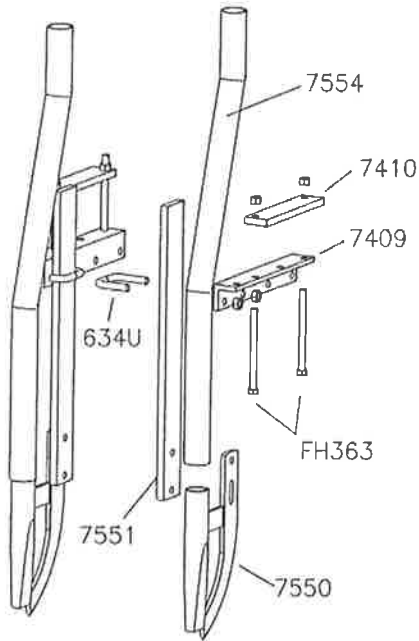
# Hopper Assembly



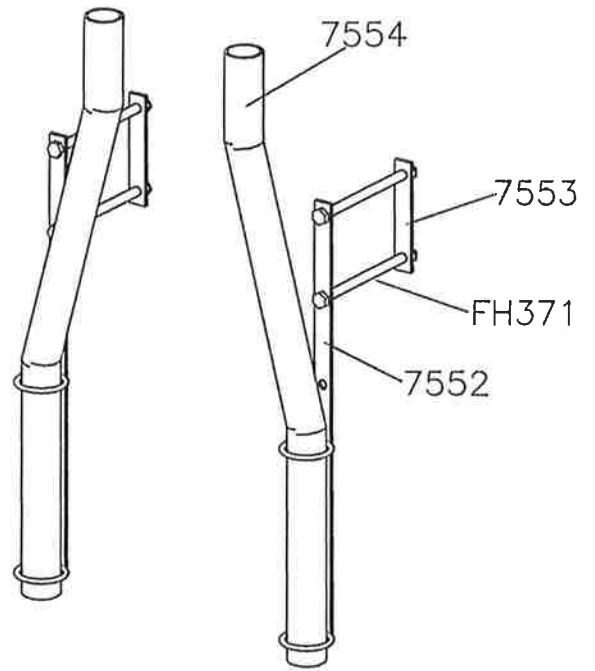
# Hitch Assembly



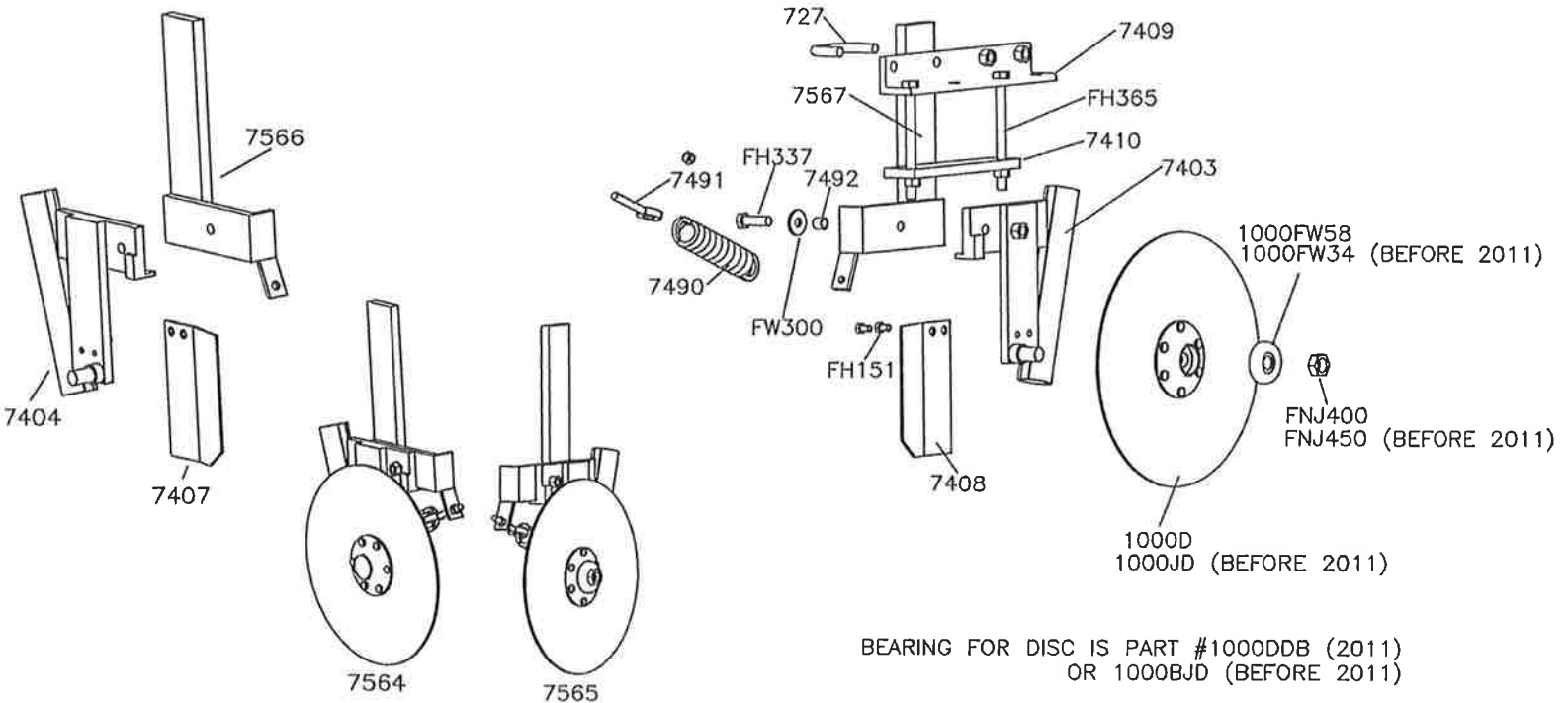
## Knife Opener Option



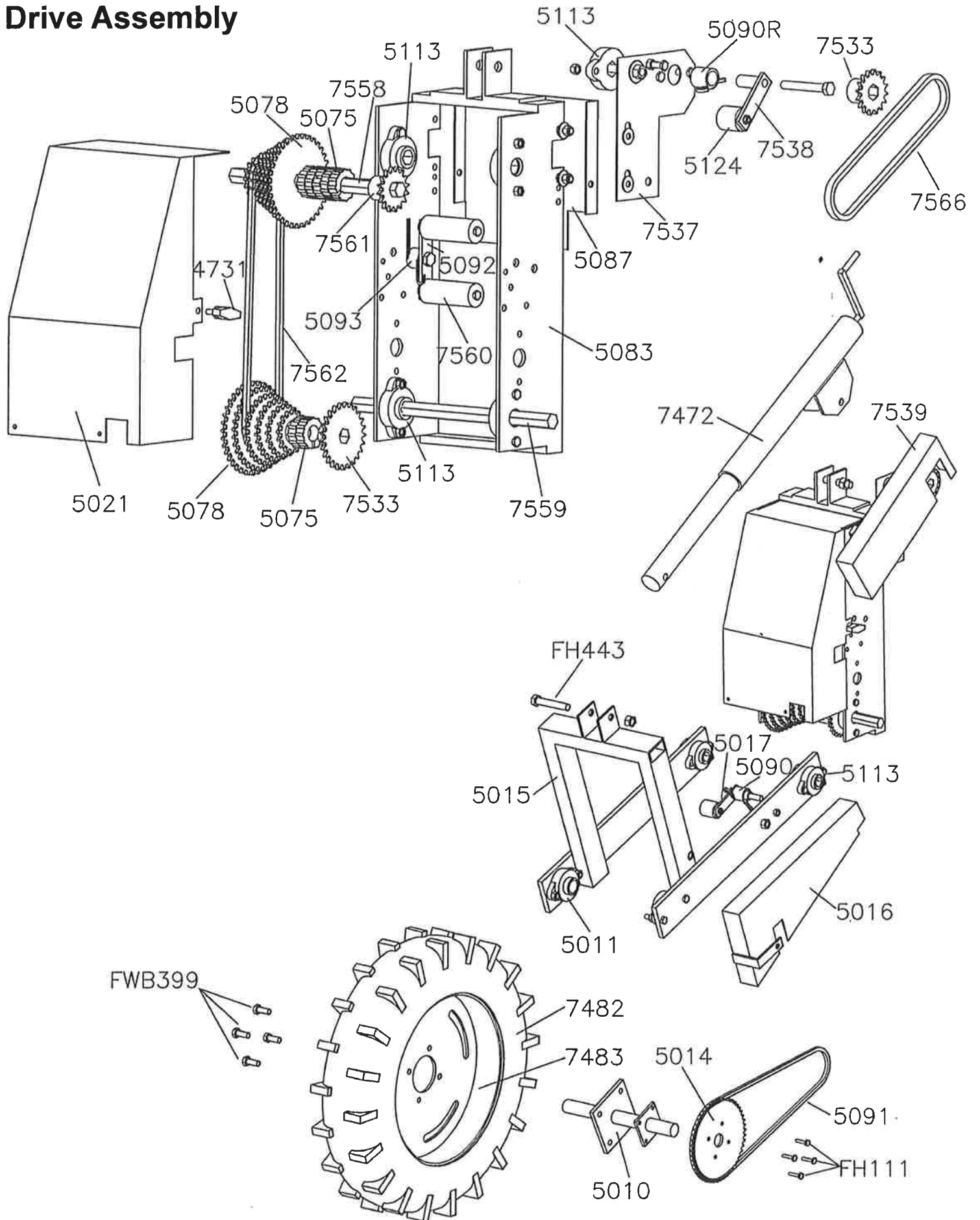
## Hose Drop Option



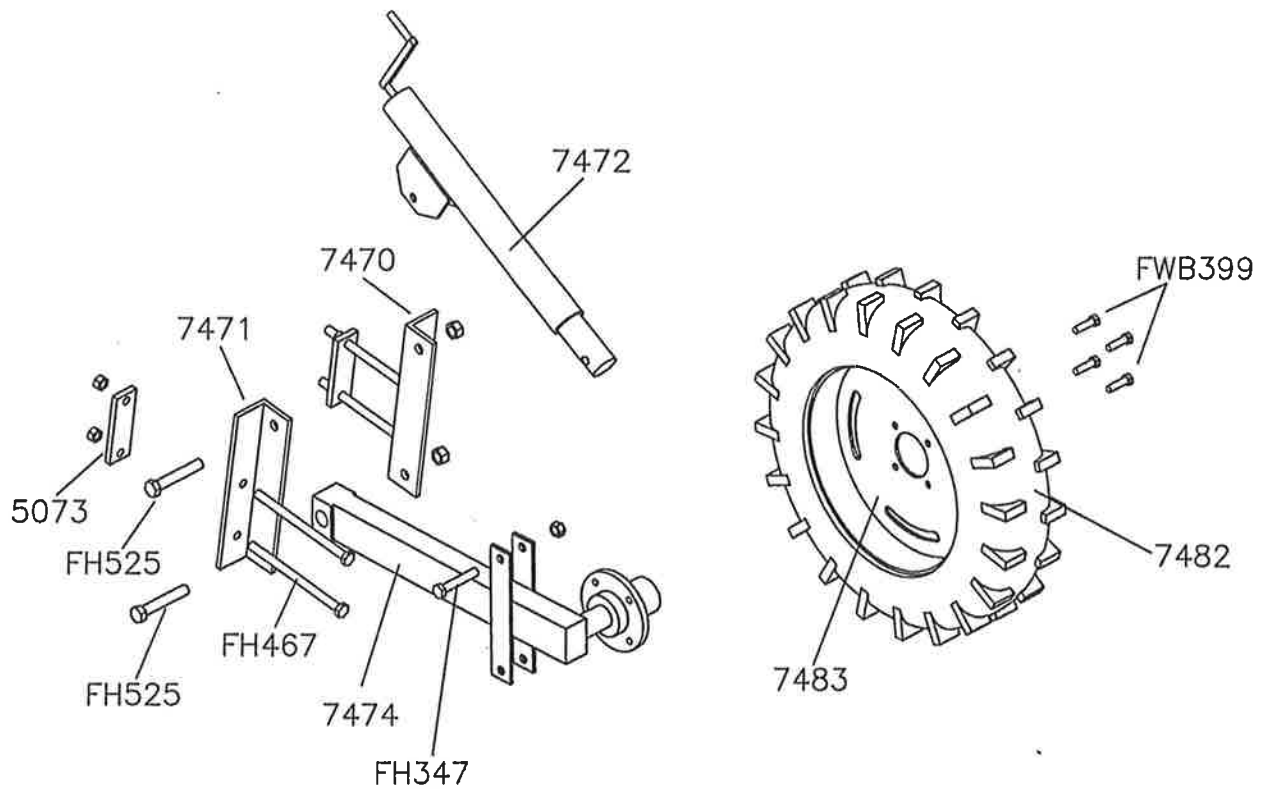
## Disc Opener Option



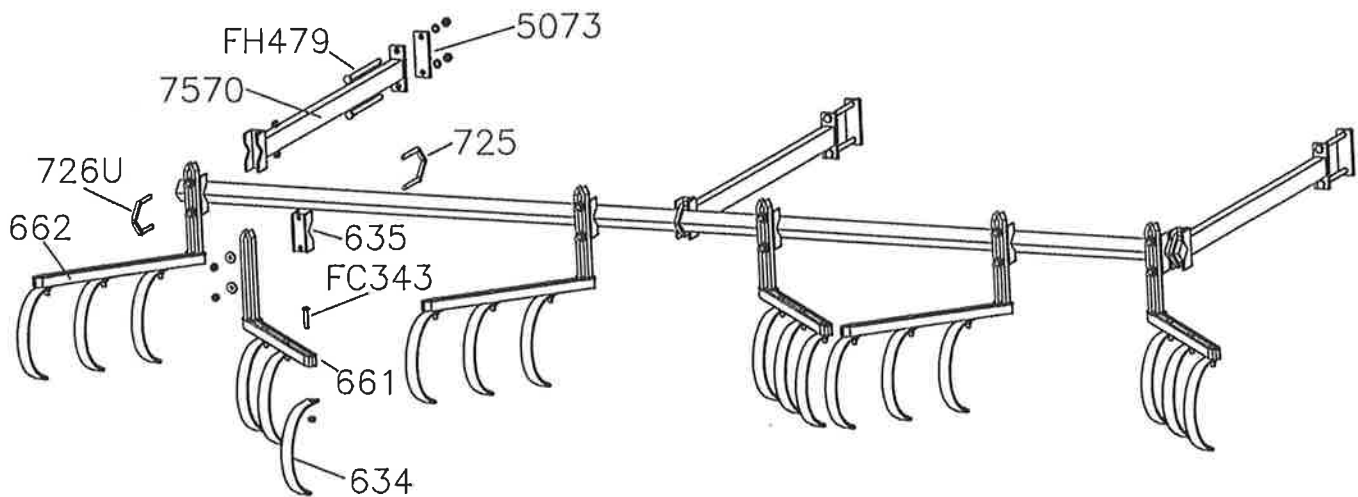
# Drive Assembly



# Gauge Wheel Assembly

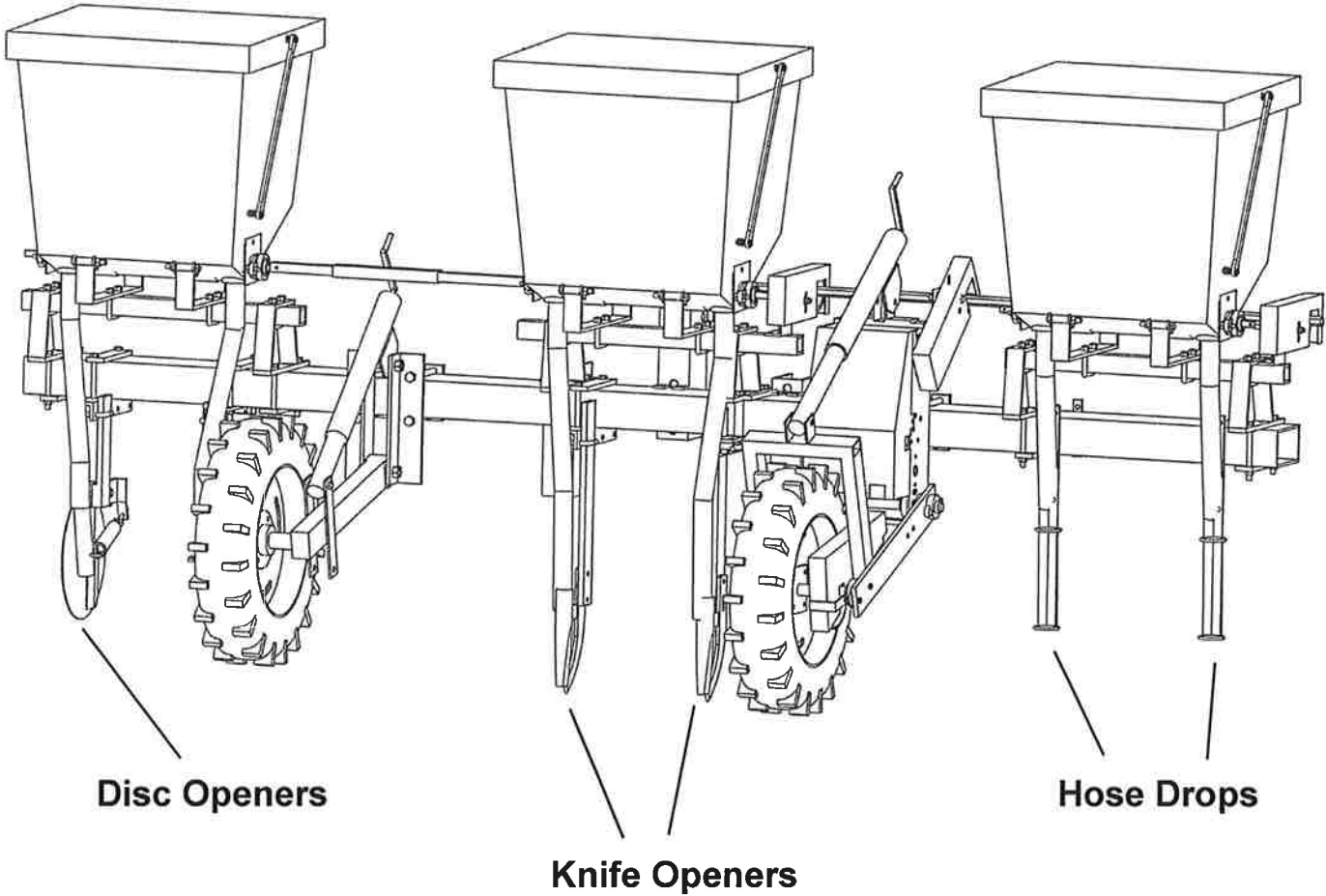


# Cultivator Option

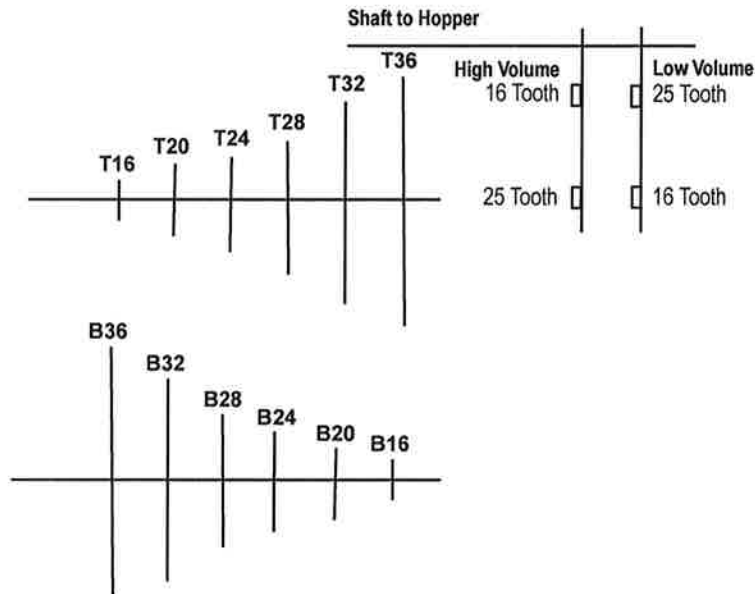


**(Configuration will vary)**

# Fertilizer Side-Dresser



# Rate Chart for Fertilizer Side Dresser



40" ROWS		
Sprocket Combination	High Volume	Low Volume
T16 - B36	875 lbs.	306 lbs.
T20 - B32	523 lbs.	245 lbs.
T24 - B28	439 lbs.	172 lbs.
T28 - B24	342 lbs.	128 lbs.
T32 - B20	243 lbs.	93 lbs.
T36 - B16	164 lbs.	66 lbs.

Fertilizers have many weight variations. Since the fertilizer attachment measures volume, not weight, there can be as much as a 100% variation from the weight chart calculations. To check the exact number of pounds of fertilizer that will be delivered for 40 inch row spacing, proceed as follows. Run both output tubes from the fertilizer hopper and attach a sack, or other suitable container under the opening in the hopper. Engage the fertilizer attachment and drive forward 100 feet. Weigh the amount of fertilizer caught in the container and multiply that amount by 100(See factors below). The result will be the number of pounds of fertilizer delivered per acre.

Factors for converting: 36" rows, multiply by 1.11  
 42" rows, multiply by .95  
 48" rows, multiply by .83

Keep fertilizer in a dry place. Most fertilizers readily accumulate moisture and cause metal to corrode. Corrosion shortens metal life because of binding or "freezing." Deposits of fertilizer will build up in the hopper and interfere with working parts. The hoppers should be cleaned after every use.

# Safety Precautions

1. Make sure tractor is stopped and in neutral with the transplanter lowered to the ground before getting on and off the unit.
2. No operator is allowed to be on the unit as it is raised and lowered.
3. No operator is allowed on the transplanter as it is transported to or from the field.
4. All operators must be seated before movement begins and remain seated until the transplanter is completely stopped.
5. Never leave the transplanter in the raised position.
6. Keep all shields and guards in place when operating the transplanter.
7. Never attempt repairs or maintenance while the transplanter is in motion.
8. Never put the tractor in reverse while the transplanter is on the ground.
9. Follow all safety instructions supplied by the tractor manufacturer to which the transplanter is mounted.

## **MACHINE IMPROVEMENTS**

*MECHANICAL TRANSPLANTER CO. IS ALWAYS STRIVING TO MAKE IMPROVEMENTS ON THEIR LINE OF EQUIPMENT. MECHANICAL TRANSPLANTER CO. RESERVES THE RIGHT TO MAKE IMPROVEMENTS AND CHANGES AT ANY TIME WITHOUT INCURRING OBLIGATIONS TO MAKE SUCH CHANGES OR ADDITIONS TO EQUIPMENT PREVIOUSLY SOLD.*

## **Limited Warranty**

Mechanical Transplanter Company warrants each item of new equipment manufactured by Mechanical to be free from defects in material and workmanship under normal use and service.

The obligation of Mechanical Transplanter Company under this LIMITED WARRANTY is limited to repairing or replacing as Mechanical may elect, and any parts that prove, in Mechanical's judgment, to be defective in material and workmanship within the first season's use or 45 consecutive days after initially placing equipment in operation, whichever occurs first. Any outside work or alterations without Mechanical's written approval will render the LIMITED WARRANTY void.

Mechanical's obligation specifically excludes any liability for consequential damages, such as loss of profits, delays, expenses, damage to goods or property used in connection with or processed in or by the product sold, or damage to the product sold from whatsoever cause, whether or not such loss is due to negligence of selling dealer of Mechanical Transplanter Company.

This limited warranty shall not apply to any item or machine which shall have been operated in a manner not recommended by the Company nor which shall have been repaired, altered, misused, damaged in an accident, neglected, tampered with or used in any way which in the Company's opinion adversely affects its performance and results.

No person is authorized to give any other warranties or to assume any other liability on behalf of Mechanical Transplanter Company, unless made in writing by Mechanical.

This limited warranty covers repair or replacement of Mechanical Transplanter Co. equipment only and does not cover crop loss, downtime, labor, damage to other equipment, etc.

This limited warranty does not apply to exterior finishes, tires, chain links, bearings, or any other items sold by Mechanical Transplanter Co., but warranted by the original manufacturer except to the extent of their individual manufacturer's warranty.

THIS LIMITED WARRANT IS IN LIEU OF ALL OTHER WARRANTIES, EXPRESSED OR IMPLIED. WARRANTIES OF MERCHANT ABILITY AND FITNESS FOR PARTICULAR PURPOSE ARE EXCLUDED, AS ARE ALL OTHER REPRESENTATIONS TO THE USER-PURCHASER, AND ALL OTHER OBLIGATIONS OR LIABILITIES, INCLUDING LIABILITY FOR INCIDENTAL AND CONSEQUENTIAL DAMAGES, ON THE PART OF MECHANICAL OR THE SELLER.

**Mechanical Transplanter Company \* 1150 Central Avenue \* Holland, MI 49423**

**Phone: 800-757-5268 \* 616-396-8738 or Fax: 616-396-3619**

**website: [www.mechanicaltransplanter.com](http://www.mechanicaltransplanter.com) \* e-mail: [mtc@egl.net](mailto:mtc@egl.net)**