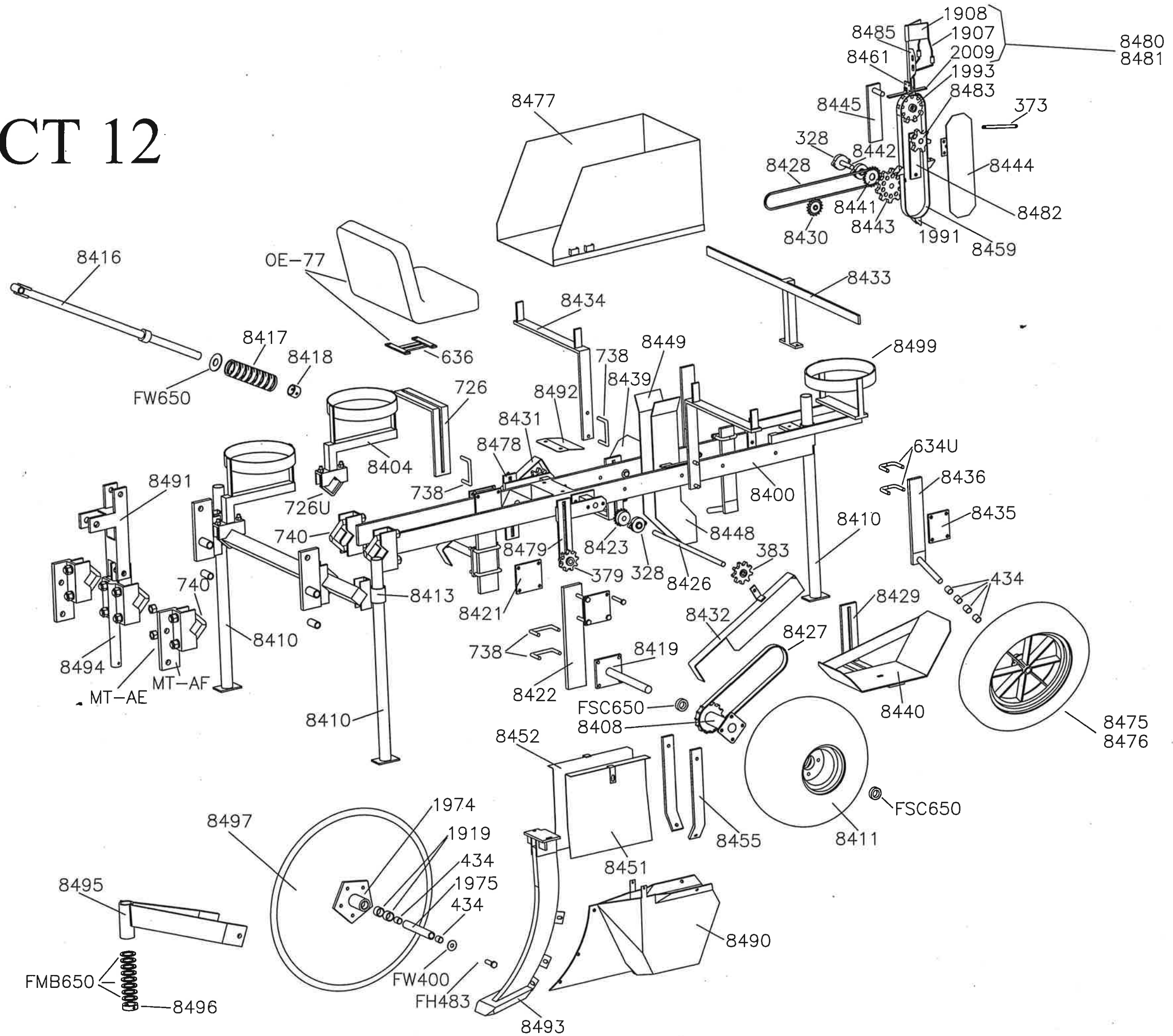


Model CT 12



CT-12 PARTS LIST

Model CT 12 Operating Information

1. If the transplanter was picked up from the factory, it would be fully assembled and ready to run. If the transplanter has been shipped by truck, the plant stands, rear T-bar, weight brackets, and A- frame must be bolted to the unit.
2. Hook up the unit to the tractor's 3-point hitch and lift the unit up. Raise up the 3 pipe stands.
3. Lower the unit into the ground until the frame of the unit is running level. The shoe should be in the ground up to the flange or bend in the shoe.
4. The drive wheels also act as gauge wheels and the height is preset at the factory. They should not have to be readjusted unless unusual conditions are encountered.
5. The end of the pocket is the depth gauge for planting. Place the plants straight in the pocket with the roots out beyond the the rubber gripper at the desired depth for the plants to be planted at.
6. Adjust the third arm on the tractor so there is float between the solid rod with the spring and the pickup plate. The rod and the plate must not touch while planting or it will take weight off the back of the unit. If more float is needed, lengthen the third arm slightly.
7. The weight brackets on the front toolbar should carry approximately twice the weight as the rear weight bracket. **DO NOT BE AFRAID TO ADD WEIGHT! ADD AS MUCH WEIGHT AS IT TAKES TO DO A GOOD JOB OF PACKING THE PLANTS.** The heavier the soil, the more weight that must be added.
8. Spacing is determined by the number of pockets on the chain and by what spacing sprockets are on the unit. To change the spacing sprockets, remove the two chain guards under the seats and replace the sprockets. The chain tighteners will have to be readjusted each time a different sprocket is put on the unit. Be sure to put the same size sprocket on both sides of the unit.
9. Hardening rod has been welded on the botton of each shoe side. Reapplying hardening rod as needed will greatly extend shoe life.
10. The packing wheels can be moved in or out as needed to gather more or less soil into the furrow.
11. In heavy sod or very hard conditions, it may be necessary to use the optional rubber tire packing wheels.

Spacing Chart

Pockets	#Teeth on Spacing Sprockets				
	7	8	9	10	11
2	60"	68"	75"	83"	90"
3	40"	45"	50"	54"	60"

Spacings will vary due to soil conditions

328	3/4" flange block	8435	Packing wheel securing plate
373	Spring for chain tightener	8436	Bracket support for packing wheels
379	Sprocket for chain tightener	8439	Left footrest
383	9 tooth sprocket	8440	Right footrest
434	7/8" oillite bearing	8441	40A20x1-1/2" sprocket
634U	1/2" U-bolt	8442	Pocket drive shaft
636	Cushion seat bracket	8443	10 tooth gear w/3/4" hole(bottom)
726	L-bracket for seat	8444	Pocket chain guard
726U	1/2" U-bolt for toolbar clamps	8445	Pocket chain bracket
738	1/2" U-bolt	8448	Right pocket guide
740	7/8" U-bolt	8449	Left pocket guide
1907	Pocket wire	8451	Right root shield
1908	Double neoprene gripper	8452	Left root shield
1919	1-1/4" oillite bearing	8455	Shoe brace
1974	Coulter hub only	8459	Pocket chain
1975	Inside pipe of coulter hub	8461	Pocket offset bracket
1991	55S pocket attachment link	8475	Rubber packing wheel
1993	9 tooth gear with bearing (top)	8476	Steel cement packing wheel
2009	Pocket stabilizing bar	8477	CT 12 plant box
8400	CT 12 planter frame	8478	Left drive chain bracket
8401	CT 12 toolbar	8479	Right drive chain bracket
8403	Category II pin	8480	Pocket complete w/stabilizer bars
8404	Weight bracket	8481	Pocket less stabilizer bars
8408	Drive wheel hub with sprocket	8482	Pocket chain tightener bracket
8409	Sprocket for drive wheel	8483	Pocket chain tightener sprocket
8410	Planter pipe stand	8485	CT-12 pocket frame
8411	CT 12 drive tire and rim	8490	CT 12 shoe only
8413	Clamp for pipe stand	8491	Hitch bracket for third arm
8416	Rod for pressure spring	8492	Dirt shield
8417	Pressure spring	8493	Shoe point only
8418	Sleeve for pressure spring	8494	Yoke mounting bracket
8419	Axle for drive wheel	8495	Yoke for coulter
8421	Plate for support bracket and drive axle	8496	Yoke spacer
8422	Drive wheel support	8497	32" Coulter blade
8423	17 tooth sprocket	8498	Yoke assembly for coulter
8426	Jackshaft	8499	Rear weight bracket
8427	51S drive chain	FH483	5/8x10-1/2" hex head bolt
8428	#40 roller chain for pocket drive	FMB650	1-1/4" machinery bushing
8429	L-shaped footrest bracket	FSC650	1-1/4" set collar
8430	Roller chain tightener sprocket	FW400	5/8" U.S.S. flat washer
8431	Left chain guard	FW650	1-1/4" U.S.S. flat washer
8432	Right chain guard	MT-AE	Left drop hitch bracket
8433	T-shaped plant box holder	MT-AF	Right drop hitch bracket
8434	L-shaped plant box holder	OE-77	Cushion seat with bracket

MECHANICAL TRANSPLANTER COMPANY

1150 CENTRAL AVENUE * HOLLAND, MI 49423

PHONE: 616-396-8738 or 800-757-5268 * FAX: 616-396-3619

website: www.mechanicaltransplanter.com * e-mail: mtc@mechanicaltransplanter.com