

Mechanical Transplanter Co.

Model 948 & 948T Instruction Manual



Model 948



Model 948T

Mechanical Transplanter Company * 1150 Central Avenue * Holland, MI 49423
Phone: 800-757-5268 * 616-396-8738 or Fax: 616-396-3619

website: www.mechanicaltransplanter.com * e-mail: mtc@mechanicaltransplanter.com



Mechanical Transplanter Co.

Model 948 & 948T Instruction Manual



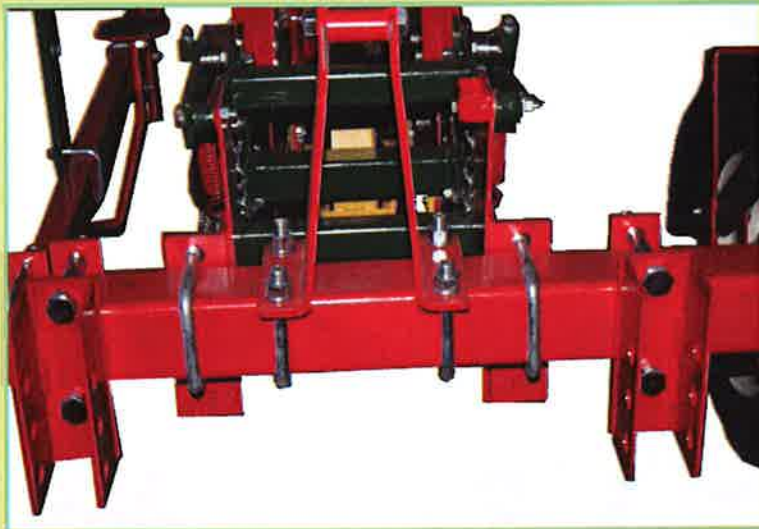
FIG. 100-10

Mechanical Transplanter Company • 7131 Canal Avenue • Houston, TX 77033
Phone: 281-757-5222 • 814-508-6733 or Fax: 281-385-5078

©1994 Mechanical Transplanter Company. All rights reserved. Printed in the U.S.A.

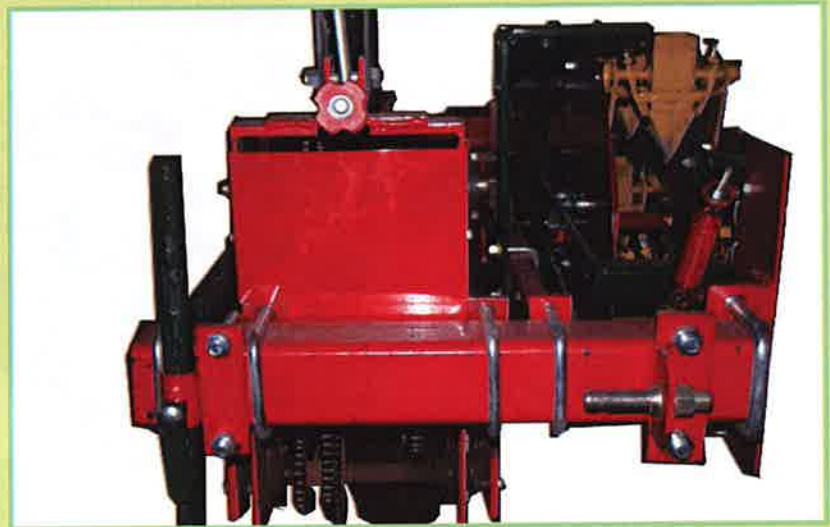
Mechanical Transplanter Company

Model 948 & 948T Instruction Manual



1. Attach A-Frame to toolbar. Directions detailing this are in the A-Frame carton.
2. Fasten Model 948 or 948T to toolbar using U-bolts on 4x4 bar or bolts and plates on 4x7 bar.

3. Fasten OE 90 Drive wheel to toolbar. This tire must track directly behind one of the tractor tires. The drive transmission can be fastened to either side of the transplanter.

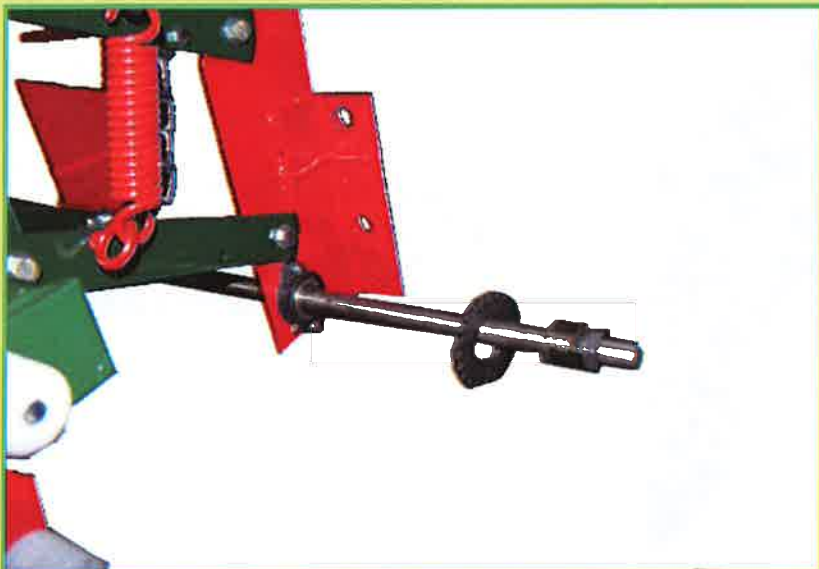
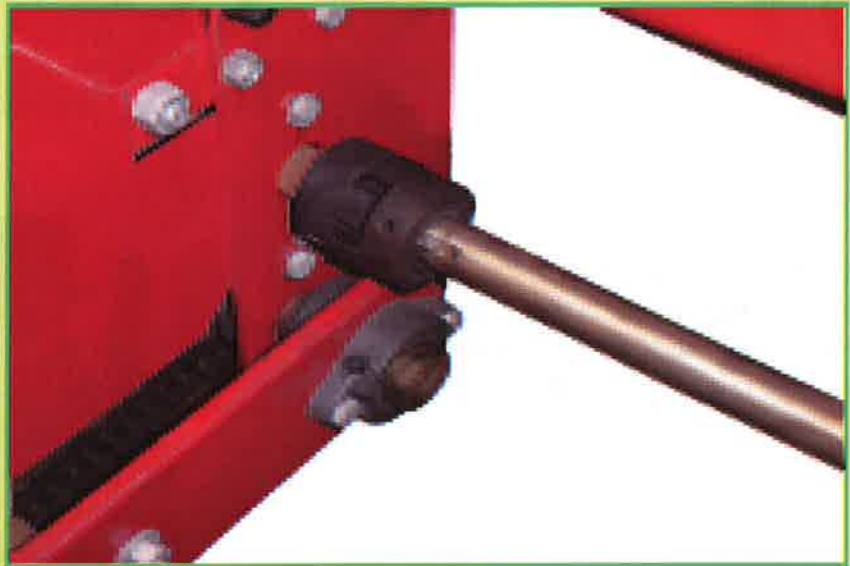


4. Connect gauge wheel to the side of transplanter opposite the drive wheel. This tire should also track behind a tractor tire. Secure with furnished U-bolts or plates and bolts.

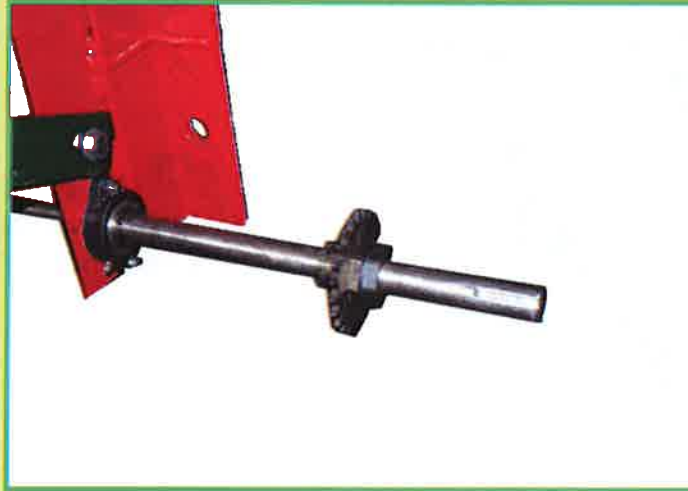


5. Remove large guard on side of transplanter

6. Slide 1" drive shaft through the hitch on the unit. Make sure key on shaft connects to drive transmission



7. Slide 25 tooth gear and transtorque onto the 1" shaft



8. Align loose gear with sprocket on transplanter

9. Tighten around shaft with 1" transtorque bushing



10. Attach chain between the sprockets. Follow chain tightener arrangement shown above. Replace large guard over chain.



11. Fasten long seat brace and foot rest arm to toolbar. This should be placed as close to the unit as possible. secure with U-bolt or bolts with plates.

TRAYS

1. Slide long silver pipe down into the red bracket
2. Leave approximately 35" visible and lock in place with green collar

3. Slide red tray bracket over pipe and secure at desired height



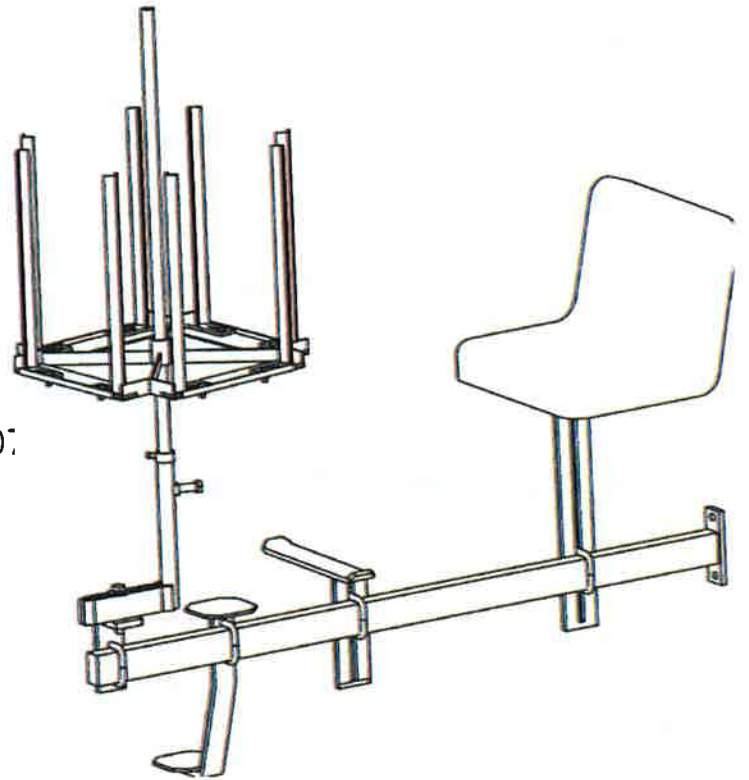
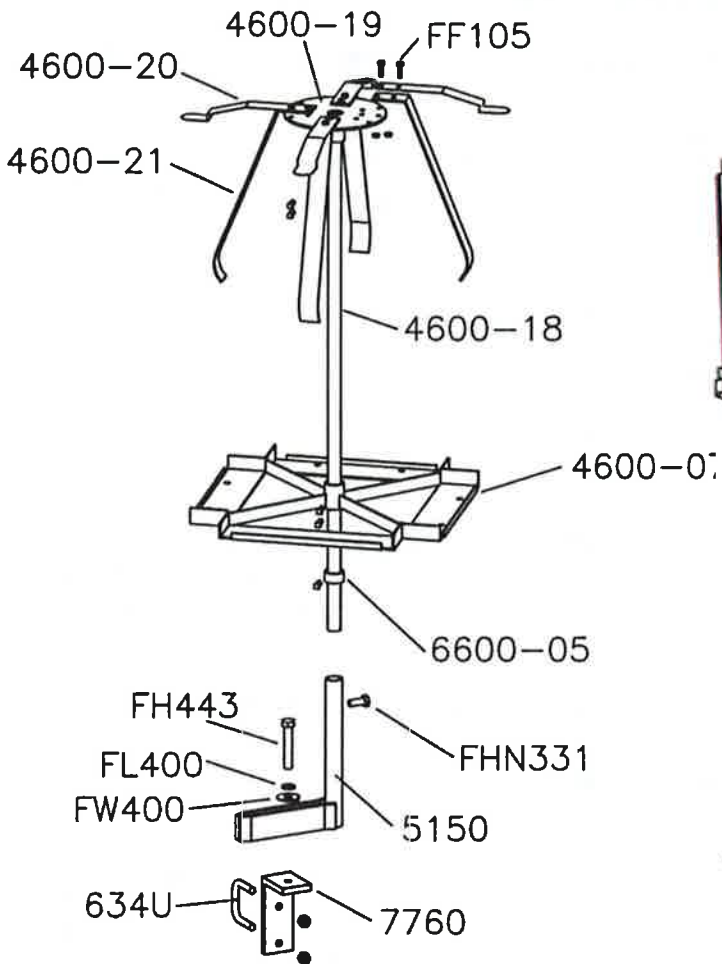
4. Attach tray support wings to center bracket
5. Tighten wing on slight angle toward seats

6. Attach trays to wings with 1/2" carriage bolt



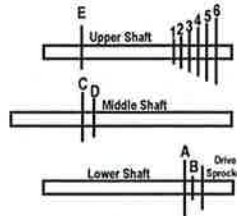
Carrousel for Styrofoam Trays

Carrousel for Plastic Trays



Mechanical Transplanter Company Model 948 Series Spacing Chart

	Sprocket Arrangement		
	<u>B3C</u>	<u>B4C</u>	<u>B5C</u>
6 Pockets	12"	13"	16"
5 Pockets	17"	18"	21"
4 Pockets	20-1/2"	21-1/2"	24-1/2"
3 Pockets	27"	28"	31"
2 Pockets	42"	43"	46"
1 Pocket	85"	86"	89"



To change spacings, slide 6 sprocket cluster above sprocket B only.

Do not change any other sprocket ratio.

PLANT SPACING MAY CHANGE DEPENDING ON LOCAL GROUND CONDITIONS.

Safety Precautions

1. Make sure tractor is stopped and in neutral with the transplanter lowered to the ground before getting on and off the unit.
2. No operator is allowed to be on the unit as it is raised and lowered.
3. No operator is allowed on the transplanter as it is transported to or from the field.
4. All operators must be seated before movement begins and remain seated until the transplanter is completely stopped.
5. Never leave the transplanter in the raised position.
6. Keep all shields and guards in place when operating the transplanter.
7. Never attempt repairs or maintenance while the transplanter is in motion.
8. Never put the tractor in reverse while the transplanter is on the ground.
9. Follow all safety instructions supplied by the tractor manufacturer to which the transplanter is mounted.

MACHINE IMPROVEMENTS

MECHANICAL TRANSPLANTER CO. IS ALWAYS STRIVING TO MAKE IMPROVEMENTS ON THEIR LINE OF EQUIPMENT. MECHANICAL TRANSPLANTER CO. RESERVES THE RIGHT TO MAKE IMPROVEMENTS AND CHANGES AT ANY TIME WITHOUT INCURRING OBLIGATIONS TO MAKE SUCH CHANGES OR ADDITIONS TO EQUIPMENT PREVIOUSLY SOLD.

Limited Warranty

Mechanical Transplanter Company warrants each item of new equipment manufactured by Mechanical to be free from defects in material and workmanship under normal use and service.

The obligation of Mechanical Transplanter Company under this LIMITED WARRANTY is limited to repairing or replacing as Mechanical may elect, and any parts that prove, in Mechanical's judgment, to be defective in material and workmanship within the first season's use or 45 consecutive days after initially placing equipment in operation, whichever occurs first. Any outside work or alterations without Mechanical's written approval will render the LIMITED WARRANTY void.

Mechanical's obligation specifically excludes any liability for consequential damages, such as loss of profits, delays, expenses, damage to goods or property used in connection with or processed in or by the product sold, or damage to the product sold from whatsoever cause, whether or not such loss is due to negligence of selling dealer of Mechanical Transplanter Company.

This limited warranty shall not apply to any item or machine which shall have been operated in a manner not recommended by the Company nor which shall have been repaired, altered, misused, damaged in an accident, neglected, tampered with or used in any way which in the Company's opinion adversely affects its performance and results.

No person is authorized to give any other warranties or to assume any other liability on behalf of Mechanical Transplanter Company, unless made in writing by Mechanical.

This limited warranty covers repair or replacement of Mechanical Transplanter Co. equipment only and does not cover crop loss, downtime, labor, damage to other equipment, etc.

This limited warranty does not apply to exterior finishes, tires, chain links, bearings, or any other items sold by Mechanical Transplanter Co., but warranted by the original manufacturer except to the extent of their individual manufacturer's warranty.

THIS LIMITED WARRANTY IS IN LIEU OF ALL OTHER WARRANTIES, EXPRESSED OR IMPLIED. WARRANTIES OF MERCHANT ABILITY AND FITNESS FOR PARTICULAR PURPOSE ARE EXCLUDED, AS ARE ALL OTHER REPRESENTATIONS TO THE USER-PURCHASER, AND ALL OTHER OBLIGATIONS OR LIABILITIES, INCLUDING LIABILITY FOR INCIDENTAL AND CONSEQUENTIAL DAMAGES, ON THE PART OF MECHANICAL OR THE SELLER.