

# Mechanical Transplanter

## Model 92 Parts List

328	3/4" Flange Block Bearing	9211	Large Roller
940	Compression Spring	9212	Center Drop Guide
1000BJD	Disc Bearing	9213	Left Drop Guide
5113	7/8" Hex Flange Block Bearing	9214	Right Drop Guide
9003	Shank for Coulter Disc	9215	Hex Shaft for Extra Roll
9003C	Coulter Disc with Hub	9216	Drop Lever
9003CH4	4 Bolt Hub for Coulter Disc	9217	Drop Lock
9005	Side Arm	9218	Right Chain Mounting Arm
9008	Rear Disc & Wheel Mounting Brkt	9219	Pan Mounting Bracket
9009	Smooth Stretch Wheel	9220	Left Chain Mounting Arm
9011	Smooth Wheel Support Bracket	9221	Extra Roll pan
9012	Rear Dirt Shield	9222	3-Point Arm Support
9026	Dirt Shield Mounting Plate	9223	Cutter Hex Shaft
9027	Dirt Shield Mounting Bracket	9224	Cutter Arm
9034	1/2" U-bolt	9225	Cutter Arm with Cylinder Mount
9078	Dirt Shield Arm	9226	Cutter Bar
9083	Clamp for Side Arms	9227	Cutter Point (ea)
9201	Leveler Pan	9228	Cylinder Toolbar Mount
9202	Left Leveler Blade	9229	Cylinder
9203	Right Leveler Blade	9230	Lift Chain
9204L	Left Blade Plastic	FH229	3/8x3-1/2" Hex Head Bolt
9204R	Right Blade Plastic	FH465	5/8x6" Hex Head Bolt
9206	Dirt Pan Plastic	FH533	3/4x6" Hex Head Bolt
9208	Roller Mounting Bracket	FUB1222	1/2" U-bolt for 2x2" Bar
9209	Leveler Blade Mounting Bracket	FW650	1-1/4" Flat Washer
9210	Small Roller	MT 44	4x4 A-frame Hitch

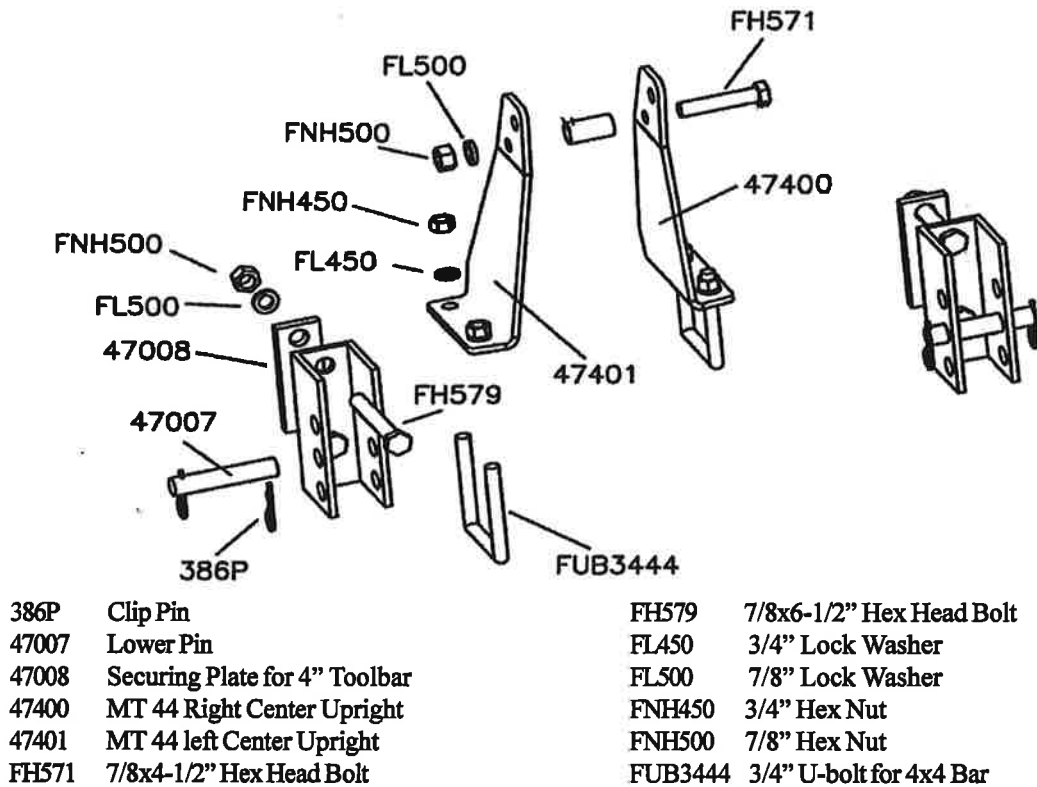
**Mechanical Transplanter Company \* 1150 Central Avenue \* Holland, MI 49423**

**Phone: 800-757-5268 \* 616-396-8738 or Fax: 616-396-3619**

**[www.mechanicaltransplanter.com](http://www.mechanicaltransplanter.com)**

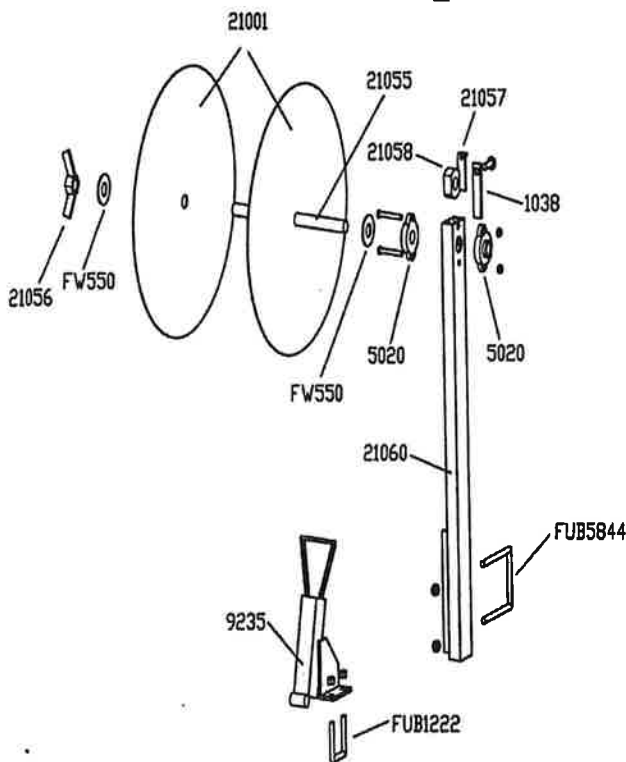
**[mtc@mechanicaltransplanter.com](mailto:mtc@mechanicaltransplanter.com)**

# MT 44 Toolbar Hitch



- |       |                               |         |                          |
|-------|-------------------------------|---------|--------------------------|
| 386P  | Clip Pin                      | FH579   | 7/8x6-1/2" Hex Head Bolt |
| 47007 | Lower Pin                     | FL450   | 3/4" Lock Washer         |
| 47008 | Securing Plate for 4" Toolbar | FL500   | 7/8" Lock Washer         |
| 47400 | MT 44 Right Center Upright    | FNH450  | 3/4" Hex Nut             |
| 47401 | MT 44 left Center Upright     | FNH500  | 7/8" Hex Nut             |
| FH571 | 7/8x4-1/2" Hex Head Bolt      | FUB3444 | 3/4" U-bolt for 4x4 Bar  |

# Drip 92 Drip Attachment



- |         |                         |
|---------|-------------------------|
| 1038    | Drip Tightener Handle   |
| 5020    | 1" Flange Block Bearing |
| 9235    | Drip Tape Guide         |
| 21001   | Spool Holder Disc       |
| 21055   | Spool Rod               |
| 21056   | 1" Wing Nut             |
| 21057   | L Shaped Brake Arm      |
| 21058   | Nylon Brake             |
| 21060   | Upright Bracket         |
| FUB1222 | 1/2" U-bolt for 2x2 Bar |
| FUB5844 | 5/8" U-bolt for 4x4 Bar |
| FW550   | 1" Flat Washer          |



# Safety Precautions

1. Make sure tractor is stopped and in neutral with the transplanter lowered to the ground before getting on and off the unit.
2. No operator is allowed to be on the unit as it is raised and lowered.
3. No operator is allowed on the transplanter as it is transported to or from the field.
4. All operators must be seated before movement begins and remain seated until the transplanter is completely stopped.
5. Never leave the transplanter in the raised position.
6. Keep all shields and guards in place when operating the transplanter.
7. Never attempt repairs or maintenance while the transplanter is in motion.
8. Never put the tractor in reverse while the transplanter is on the ground.
9. Follow all safety instructions supplied by the tractor manufacturer to which the transplanter is mounted.

## **MACHINE IMPROVEMENTS**

*MECHANICAL TRANSPLANTER CO. IS ALWAYS STRIVING TO MAKE IMPROVEMENTS ON THEIR LINE OF EQUIPMENT. MECHANICAL TRANSPLANTER CO. RESERVES THE RIGHT TO MAKE IMPROVEMENTS AND CHANGES AT ANY TIME WITHOUT INCURRING OBLIGATIONS TO MAKE SUCH CHANGES OR ADDITIONS TO EQUIPMENT PREVIOUSLY SOLD.*

## **Limited Warranty**

Mechanical Transplanter Company warrants each item of new equipment manufactured by Mechanical to be free from defects in material and workmanship under normal use and service.

The obligation of Mechanical Transplanter Company under this LIMITED WARRANTY is limited to repairing or replacing as Mechanical may elect, and any parts that prove, in Mechanical's judgment, to be defective in material and workmanship within the first season's use or 45 consecutive days after initially placing equipment in operation, whichever occurs first. Any outside work or alterations without Mechanical's written approval will render the LIMITED WARRANTY void.

Mechanical's obligation specifically excludes any liability for consequential damages, such as loss of profits, delays, expenses, damage to goods or property used in connection with or processed in or by the product sold, or damage to the product sold from whatsoever cause, whether or not such loss is due to negligence of selling dealer of Mechanical Transplanter Company.

This limited warranty shall not apply to any item or machine which shall have been operated in a manner not recommended by the Company nor which shall have been repaired, altered, misused, damaged in an accident, neglected, tampered with or used in any way which in the Company's opinion adversely affects its performance and results.

No person is authorized to give any other warranties or to assume any other liability on behalf of Mechanical Transplanter Company, unless made in writing by Mechanical.

This limited warranty covers repair or replacement of Mechanical Transplanter Co. equipment only and does not cover crop loss, downtime, labor, damage to other equipment, etc.

This limited warranty does not apply to exterior finishes, tires, chain links, bearings, or any other items sold by Mechanical Transplanter Co., but warranted by the original manufacturer except to the extent of their individual manufacturer's warranty.

**THIS LIMITED WARRANTY IS IN LIEU OF ALL OTHER WARRANTIES, EXPRESSED OR IMPLIED. WARRANTIES OF MERCHANTABILITY AND FITNESS FOR PARTICULAR PURPOSE ARE EXCLUDED, AS ARE ALL OTHER REPRESENTATIONS TO THE USER-PURCHASER, AND ALL OTHER OBLIGATIONS OR LIABILITIES, INCLUDING LIABILITY FOR INCIDENTAL AND CONSEQUENTIAL DAMAGES, ON THE PART OF MECHANICAL OR THE SELLER.**