

Mechanical Transplanter

Model 912 Parts List

43	1/2" Bushing w/Shoulder	94808	Packing Wheel Swing Bracket
373	Chain Tightener Spring	94810	Packing Wheel Leg
416	3/4" Oilite Bushing	94814	Packing Wheel
634U	1/2" U-Bolt for 1-1/2 x 2-1/2" Bar	94815	Right Scissor Hitch Mounting for 4x4 Bar
637	Fiberglass Seat Bracket	94816	Left Scissor Hitch Mounting for 4x4 Bar
715	3/8" U-bolt with Nut	94819	Pocket Drive Shaft
726L	Long "L" Seat Bracket	94820	Bearing Plate w/Bearings
926	Sealed Bearing	94821	Left Weight Transfer Arm
999	Bearing and Guide Washer Complete	94822	Right Weight Transfer Arm
4600-18	Shelving and Carrousel Shaft	94823	Crank Arm
5020	1" Flange Block Bearing	94824	Lift Chain
5029	Chain Tightener Arm	94825	Pipe Spacer
5053B	Brass Adjustment Nut	94839	Seat and Tray Holder Arm
5074	Stainless Steel Shaft (per foot)	94840	Footrest
5098	1" Coupler	94841	Step
5111	1" Transtorque	94845	Chain Guard Strap
5124	Nylon Roller	94846	Spring Holder Plate
5150	Carrousel Arm	94848	Shelving Shaft Support
6600-05	Carrousel Collar	94849	Shelving Tray Support
7490	Weight Transfer Spring	94851	7/8" Transtorque
7491	5/16 x 3" Eyebolt	94852	Large Eyebolt
7760	Carrousel Mounting Arm	94876	Timing Arm
50025	Shelving Tray	94885	Standard Pocket
91201	Unit Frame	94885N	Narrow Pocket
91211	Pocket Spool Assembly	FFB500W	7/8" Wide Flange Block Bearing
91218	Control Disc	FH443	5/8 x 3-1/2" Hex Head Cap Screw
91242	Unit Chain Guard	FH459	5/8 x 4-1/2" Hex Head Cap Screw
91243	Unit Guard	FHN331	1/2 x 1" Nylon Hex Head Cap Screw
91247	Unit Drive Chain	FSC400	5/8" Set Collar
91258	40 Tooth Sprocket with 7/8" Hole	FUB5844	5/8" U-Bolt for 4x4 Bar
91259	35 Tooth Sprocket with 1-3/4" Hole	FUB7844	7/8" U-Bolt for 4x4 Bar
94802	Top Scissor Hitch Arm	H805 4x4	Pipe Stands for 4x4 Bar (Pair)
94803	Bottom Scissor Hitch Arm	OE 74	Fiberglass Seat
94805	Top Packing Wheel Arm	OE 77	Cushion Seat
94807	Bottom Packing Wheel Arm		

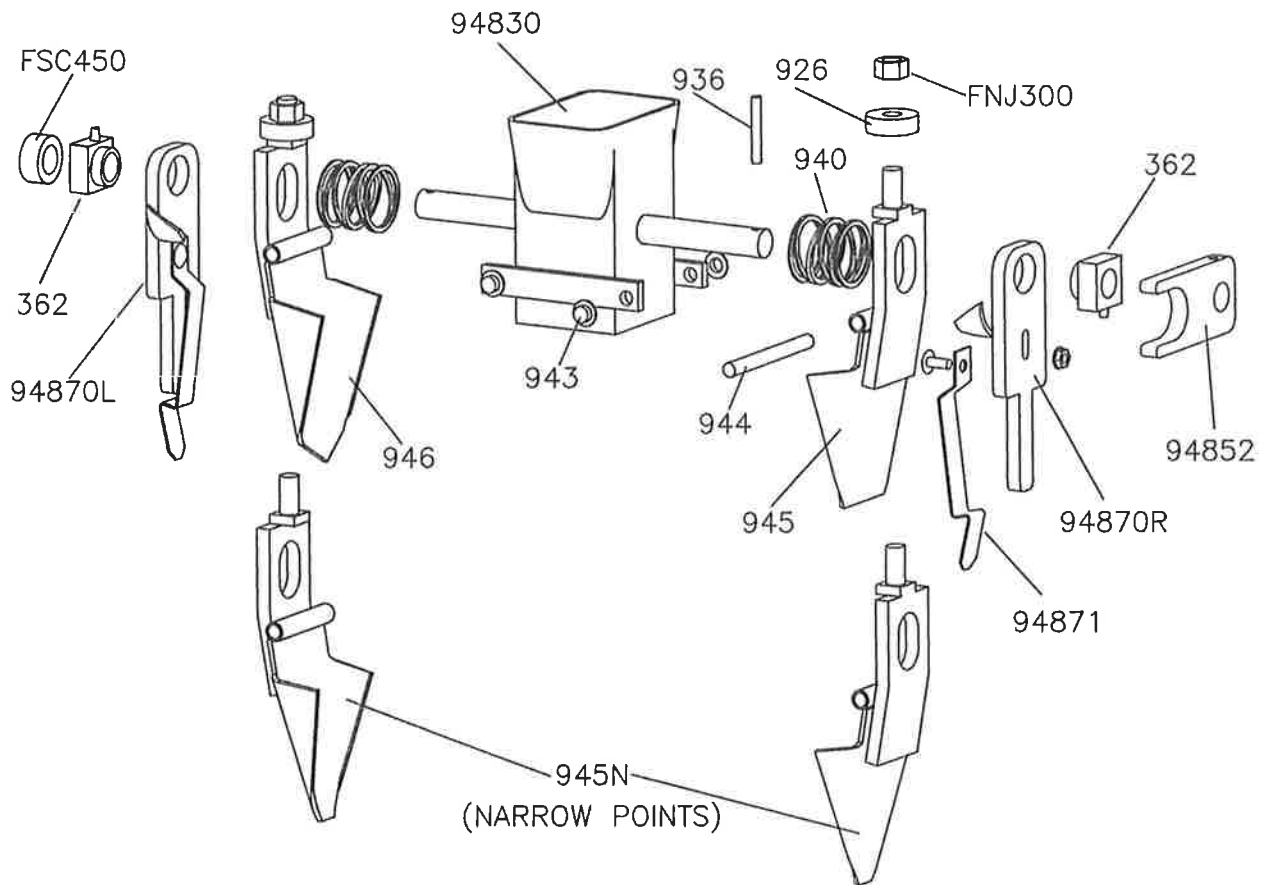
Mechanical Transplanter Company * 1150 Central Avenue * Holland, MI 49423

Phone: 800-757-5268 * 616-396-8738 or Fax: 616-396-3619

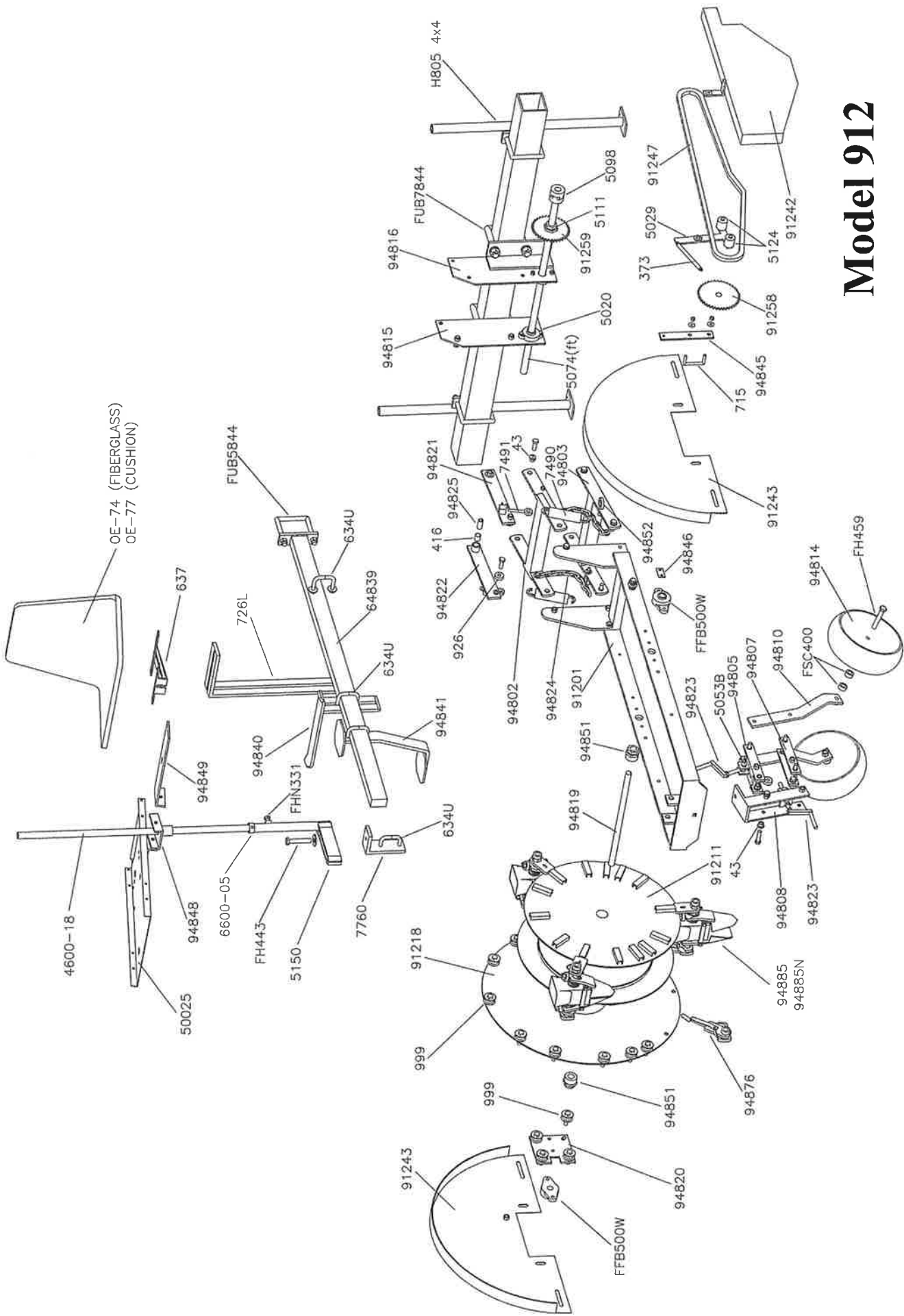
www.mechanicaltransplanter.com

mtc@mechanicaltransplanter.com

94885 and 94885N Pocket Parts

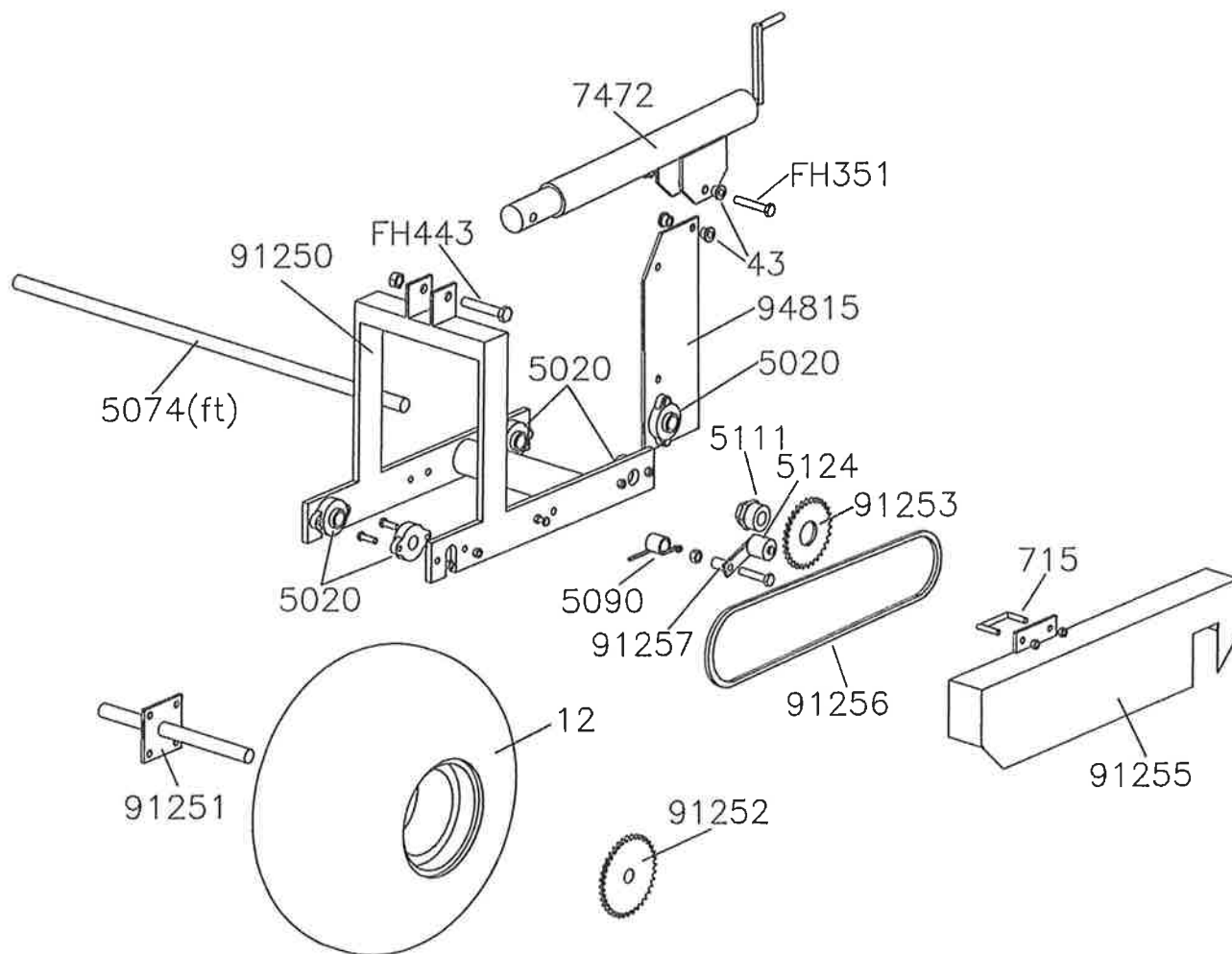


362	Nylon Bushing for #348 Lower Shaft
926	Sealed Bearing
936	Roll Pin for mounting 935 & 942
940	Pocket Compression Spring
943	Cap Nut for #944 Hinge Pin
944	Pocket Hinge Pin
945	Left Pocket Piercing Point
945N	Narrow Pocket Point
946	Right Pocket Piercing Point
94830	Pocket Main Frame
94852	Large Eyebolt
94870L	Left Pocket Arm
94870R	Right Pocket Arm
94871	Pocket Clip Spring
FNJ300	1/2" Jam Nut
FSC450	3/4" Jam Nut



Model 912

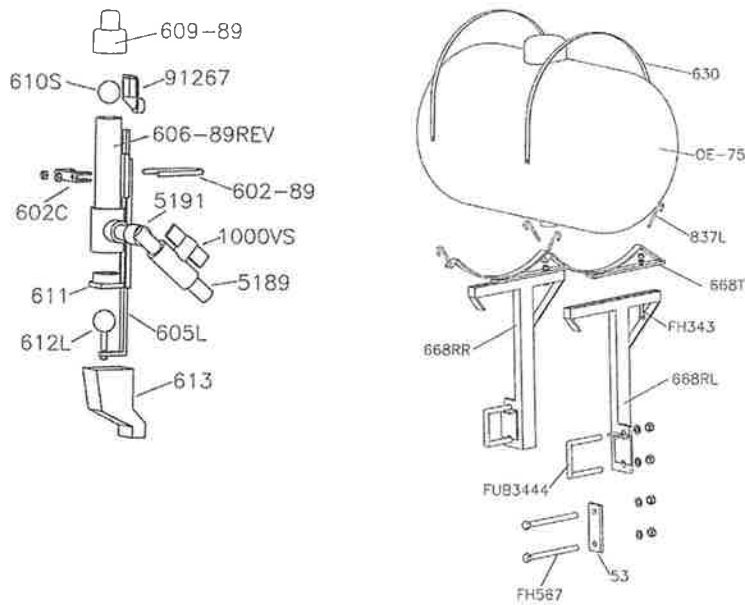
DRIVE PARTS FOR 912



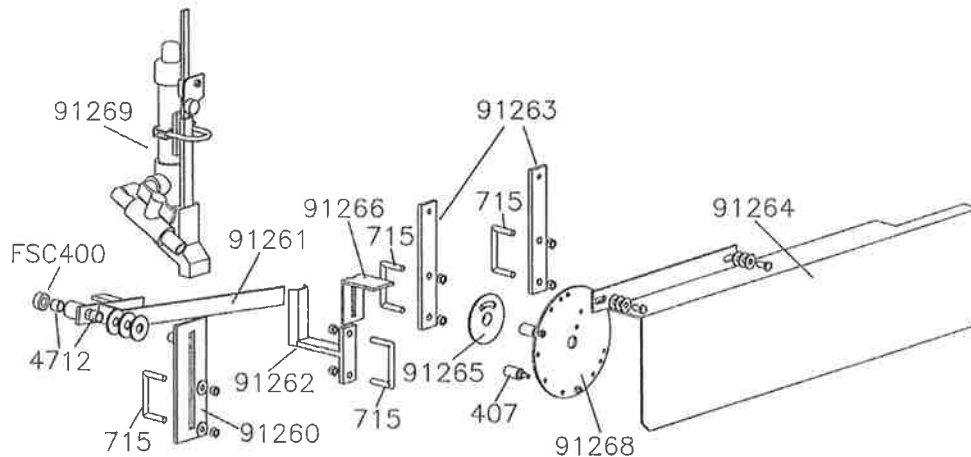
912 GAUGE WHEEL DRIVE PARTS

12	Direct Drive Tire & Rim
43	Bushing for Clamp
715	3/8" U-bolt with Nut
5020	1" Flange Block Bearing
5074	Stainless Steel shaft (per foot)
5090	7 Coil Chain Tightener Spring
5111	Transtorque Bushing
5124	Chain Tightener Complete
7472	Crank Jack
91250	Drive Frame
91251	Drive Wheel Hub
91252	36 Tooth Sprocket
91253	30 Tooth Sprocket with 1-3/4" Hole
91255	Drive Chain Guard
91256	Drive Chain
91257	Drive Chain Tightener Arm
94815	Right Scissor Hitch Mounting for 4x4 Bar
FH351	1/2 x 3-1/2" Hex Head Cap Screw
FH443	5/8 x 3-1/2" Hex Head Cap Screw

PARTS FOR WATER VALVE OPTION



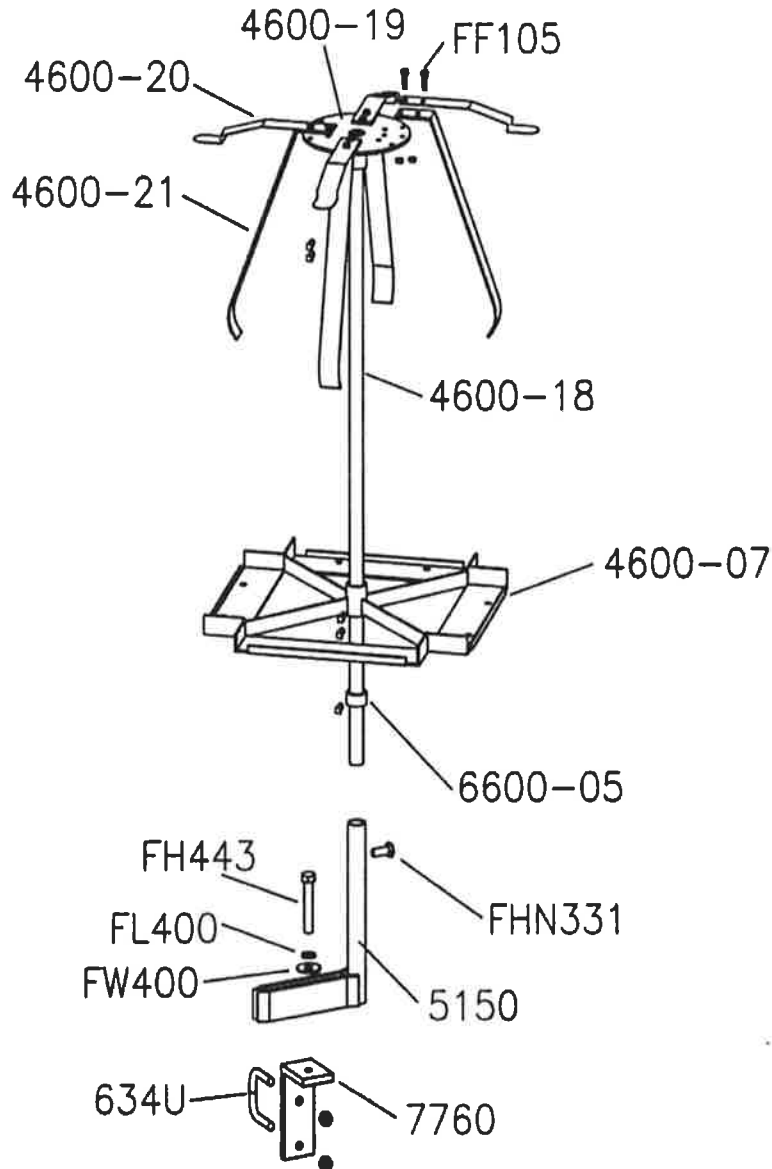
91269 WATER VALVE PARTS



PARTS LIST FOR ABOVE

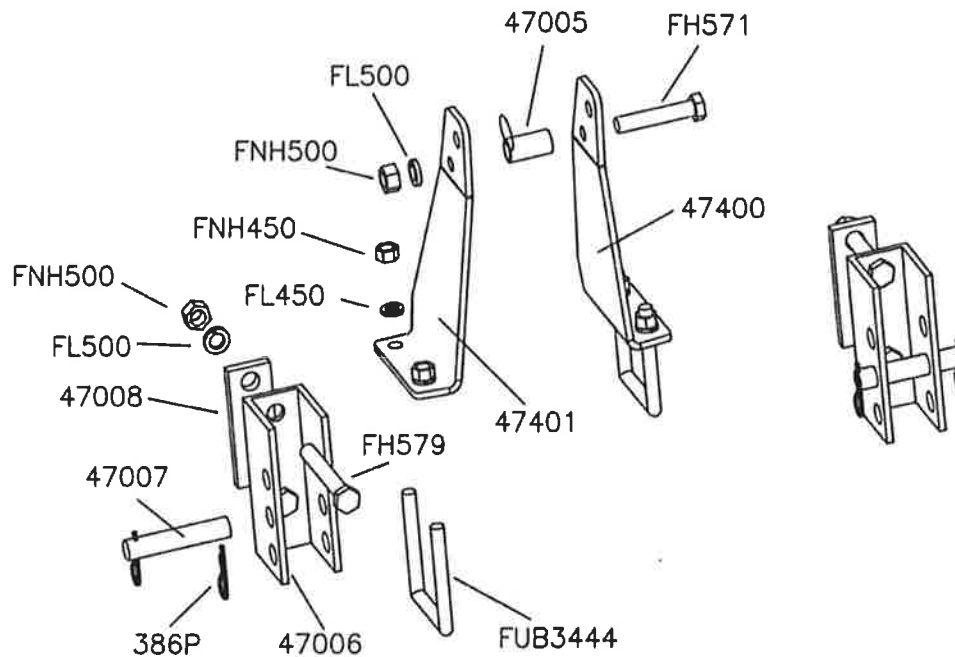
53	Securing Plate	837L	5/16" J-Bolt
407	Roller Water Trip	91260	Trip Mounting Bracket
602C	Special U-Bolt Clamp	91261	Trip Arm
602-89	U-Bolt with Nuts	91262	Valve Mounting Bracket
605L	L-Shaped Water Trip Rod and Ball	91263	Trip Guard Mounting Plates
606-89	Cap with Nipple & Rubber sent after '88	91264	Trip Guard
609-89REV	Valve Housing	91265	Adjustment Dial
610S	Solid Non-Crush Flad Ball	91266	Trip Rest
611	Nylon Water Valve Seat	91267	Roller Trip
612L	Ball Valve w/Brass Pin (after 2000)	91268	Trip Disc
613	Water Valve Spout	91269	Water Valve
630	60 Gallon Barrel Hoop - each	FH343	1/2 x 2-1/2" Hex Head Cap Screw
668RL	Left Barrel Bracket for 4x4 & 4x7	FH587	3/4 x 9-1/2" Hex Head Cap Screw
668RR	Right Barrel Bracket for 4x4 & 4x7	FSC 400	5/8" Set Collar
668T	Barrel Saddle	FUB3444	3/4" U-Bolt for 4x4 Bar
1000VS	Water Valve Shut Off	OE 75	55 Gallon Poly Barrel
5191	90 Degree Elbow		

4-Tray Carrousel

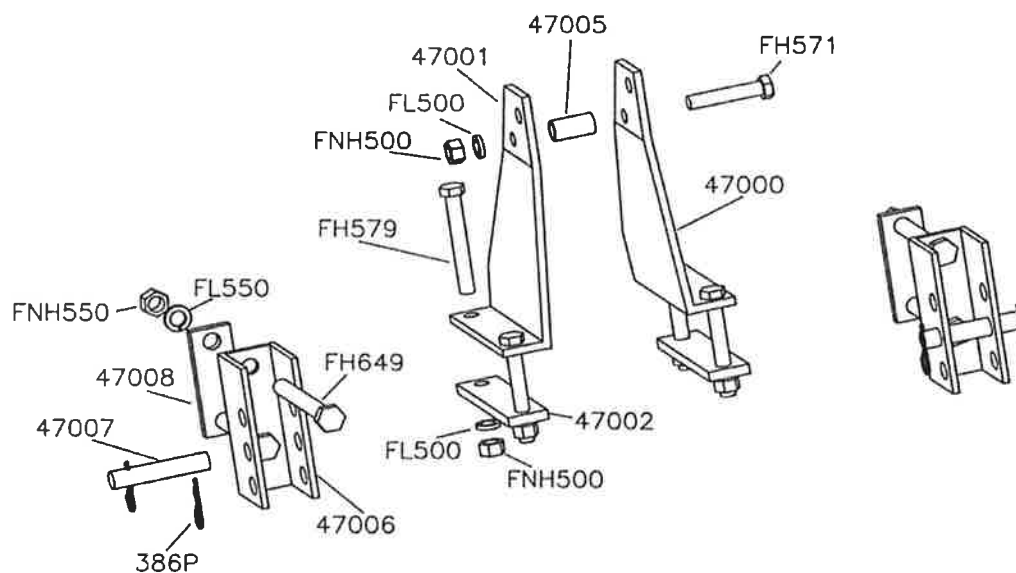


4600-07	Carroussel Tray Frame	6600-05	Carrousel Collar
4600-18	Carrousel Pipe	7760	Mounting Bracket
4600-19	Top Disc	FF105	1/4 X 3/4" Flange Screw
4600-20	Top Spring Plate	FH 443	5/8 x 3-1/2" Hex Head Cap Screw
4600-21	Back Spring Plate	FHN331	1/2 x 1" Nylon Hex Head Cap Screw
5150	Carrousel Arm	FL400	5/8" Lock Washer
634U	Cultivator U-Bolt	FW400	5/8" Flat Washer

MT 44 Toolbar Hitch for 4x4" Toolbar



MT 47 Toolbar Hitch for 4x7" Toolbar



386P	Clip Pin	FH571	7/8x4-1/2" Hex Head Cap Screw
47000	MT 47 Right Center Upright	FH579	7/8x6-1/2" Hex Head Cap Screw
47001	MT 47 Left Center Upright	FH649	1x9-1/2" Hex Head Cap Screw
47002	Securing Plate for 7" Toolbar	FL450	3/4" Lock Washer
47005	Upright Spacing Pipe	FL500	7/8" Lock Washer
47006	Lower Bracket	FL550	1" Lock Washer
47007	Lower Pin	FNH450	3/4" Hex Nut
47008	Securing Plate for 4" Toolbar	FNH500	7/8" Hex Nut
47400	MT 44 Right Center Upright	FNH550	1" Hex Nut
47401	MT 44 Left Center Upright		

Safety Precautions

1. Make sure tractor is stopped and in neutral with the transplanter lowered to the ground before getting on and off the unit.
2. No operator is allowed to be on the unit as it is raised and lowered.
3. No operator is allowed on the transplanter as it is transported to or from the field.
4. All operators must be seated before movement begins and remain seated until the transplanter is completely stopped.
5. Never leave the transplanter in the raised position.
6. Keep all shields and guards in place when operating the transplanter.
7. Never attempt repairs or maintenance while the transplanter is in motion.
8. Never put the tractor in reverse while the transplanter is on the ground.
9. Follow all safety instructions supplied by the tractor manufacturer to which the transplanter is mounted.

MACHINE IMPROVEMENTS

MECHANICAL TRANSPLANTER CO. IS ALWAYS STRIVING TO MAKE IMPROVEMENTS ON THEIR LINE OF EQUIPMENT. MECHANICAL TRANSPLANTER CO. RESERVES THE RIGHT TO MAKE IMPROVEMENTS AND CHANGES AT ANY TIME WITHOUT INCURRING OBLIGATIONS TO MAKE SUCH CHANGES OR ADDITIONS TO EQUIPMENT PREVIOUSLY SOLD.

Limited Warranty

Mechanical Transplanter Company warrants each item of new equipment manufactured by Mechanical to be free from defects in material and workmanship under normal use and service.

The obligation of Mechanical Transplanter Company under this LIMITED WARRANTY is limited to repairing or replacing as Mechanical may elect, and any parts that prove, in Mechanical's judgment, to be defective in material and workmanship within the first season's use or 45 consecutive days after initially placing equipment in operation, whichever occurs first. Any outside work or alterations without Mechanical's written approval will render the LIMITED WARRANTY void.

Mechanical's obligation specifically excludes any liability for consequential damages, such as loss of profits, delays, expenses, damage to goods or property used in connection with or processed in or by the product sold, or damage to the product sold from whatsoever cause, whether or not such loss is due to negligence of selling dealer of Mechanical Transplanter Company.

This limited warranty shall not apply to any item or machine which shall have been operated in a manner not recommended by the Company nor which shall have been repaired, altered, misused, damaged in an accident, neglected, tampered with or used in any way which in the Company's opinion adversely affects its performance and results.

No person is authorized to give any other warranties or to assume any other liability on behalf of Mechanical Transplanter Company, unless made in writing by Mechanical.

This limited warranty covers repair or replacement of Mechanical Transplanter Co. equipment only and does not cover crop loss, downtime, labor, damage to other equipment, etc.

This limited warranty does not apply to exterior finishes, tires, chain links, bearings, or any other items sold by Mechanical Transplanter Co., but warranted by the original manufacturer except to the extent of their individual manufacturer's warranty.

THIS LIMITED WARRANTY IS IN LIEU OF ALL OTHER WARRANTIES, EXPRESSED OR IMPLIED. WARRANTIES OF MERCHANTABILITY AND FITNESS FOR PARTICULAR PURPOSE ARE EXCLUDED, AS ARE ALL OTHER REPRESENTATIONS TO THE USER-PURCHASER, AND ALL OTHER OBLIGATIONS OR LIABILITIES, INCLUDING LIABILITY FOR INCIDENTAL AND CONSEQUENTIAL DAMAGES, ON THE PART OF MECHANICAL OR THE SELLER.