

Model 5000W Parts List

43	1/2" Shoulder bushing	5141	Twin cup mounting complete
373	Unit chin tightener and kicker spring	5149	Pin for mounting chain guard
376S	Tension spring	5156	Shoe adjustment bolt assembly
434	7/8" Oilite bushing	5189	Hose barb
529CO	5000W wheel scraper blade	5190	Coupler
533CO	Wheel scraper assembly	5191	90 degree elbow
610 89	Air valve float ball	5193	Thumb screw
611	Nylon water valve seat	5195	Large inside dial
612L	Ball valve with brass pin (after 2000)	5196	Small outside dial
639AHDD	Adjustable packing wheel hub	5197	Water dial guard
926	Sealed bearing	5198R	Rollers and bolt for trip arm
1000VS	Water valve shut off	5199	Trip channel on pump rod
4610	10 tooth, 5/8" bore sprocket	5501	Side plate, guard side
5000K	Kicker deflector	5502	Side plate, water side
5000WWS	Plastic shield only	5503	Front plate
5001	Water valve cap	5504	Back plate
5006	Water valve "T"	5505	Top plate with gear box mounting
5009L	Water pump rod (after 2000)	5506	Inspection plate
5019	Mounting Bracket	5507	Wheel yolk
5020	1" Flange block bearing	5508	Long nut for wheel adjustment
5026	Adjustable shoe	5509	Crank assembly
5026DDS	Double disc shoe	5510	Front shoe mount bracket
5026DDSP	Poly sided double disc shoe	5512	Footrest bracket
5026P	Poly sided adjustable shoe	5513	Footrest mounting plate
5026S	Shoe skag	5514	Adjustable footrest bracket
5035	Hex locking plate	5515	Footrest
5036	Center post for cups	5516	Lower scissor hitch arm
5037	Cup mounting bracket	5517	Upper scissor hitch arm
5038	Plastic deflector cap for cups	5518	Seat post
5039	Cup tube	5519	Guard support bracket
5040	90 Tooth spur gear	5520	5000W axle, right
5041	2 Shaft gear box	5521	5000W axle, left
5042	Cup trip bracket	5522	3-1/2" Wide packer wheel
5044	15 Tooth spur gear	5523	3" Wide packer wheel
5045	5/8" Flange block bearing	5524	L-bracket for wheel scrapers
5047	Aluminum kicker	5525	Wheel scraper small mounting bracket
5054	Lift chain on scissor hitch	5526	Kicker arm mounting plate
5056	Kicker cam	5527	Kicker arm
5063	Front chain guard	5528	Spur gear guard
5065	Swing arm for seat	5529	Water valve housing
5067	Shoe cleaner	5530	Water valve roller trip assembly
5070	Windshield	5531	Drop tube
5072	Leveling arm	5532	Water valve for 5000W
5073	Front toolbar securing plate	5533	Carrousel base
5074	Stainless steel shaft (per foot)	5534	Unit drive chain
5095	Cup door spring	FC167	5/16x2" Carriage bolt
5096	Door hinge pin	FH211	3/8x1-1/4" Hex head bolt
5097	Door for cup	FH333	1/2x1-1/4" Hex head bolt
5098	1" "Love-joy" coupler	FH521	3/4x3-1/2" Hex head bolt
5099	Pipe timing lock	FMB400	5/8" Machinery bushing
5111	1" Transtorque bushing	FSC200	3/8" Set collar
5112	35 Tooth sprocket	FSC500	7/8" Set collar
5124	1-1/2" Chain tightener roller	FW200	3/8" U.S.S. flat waher
5140	Complete top	FW450	3/4" U.S.S flat washer

Mechanical Transplanter Company, LLC

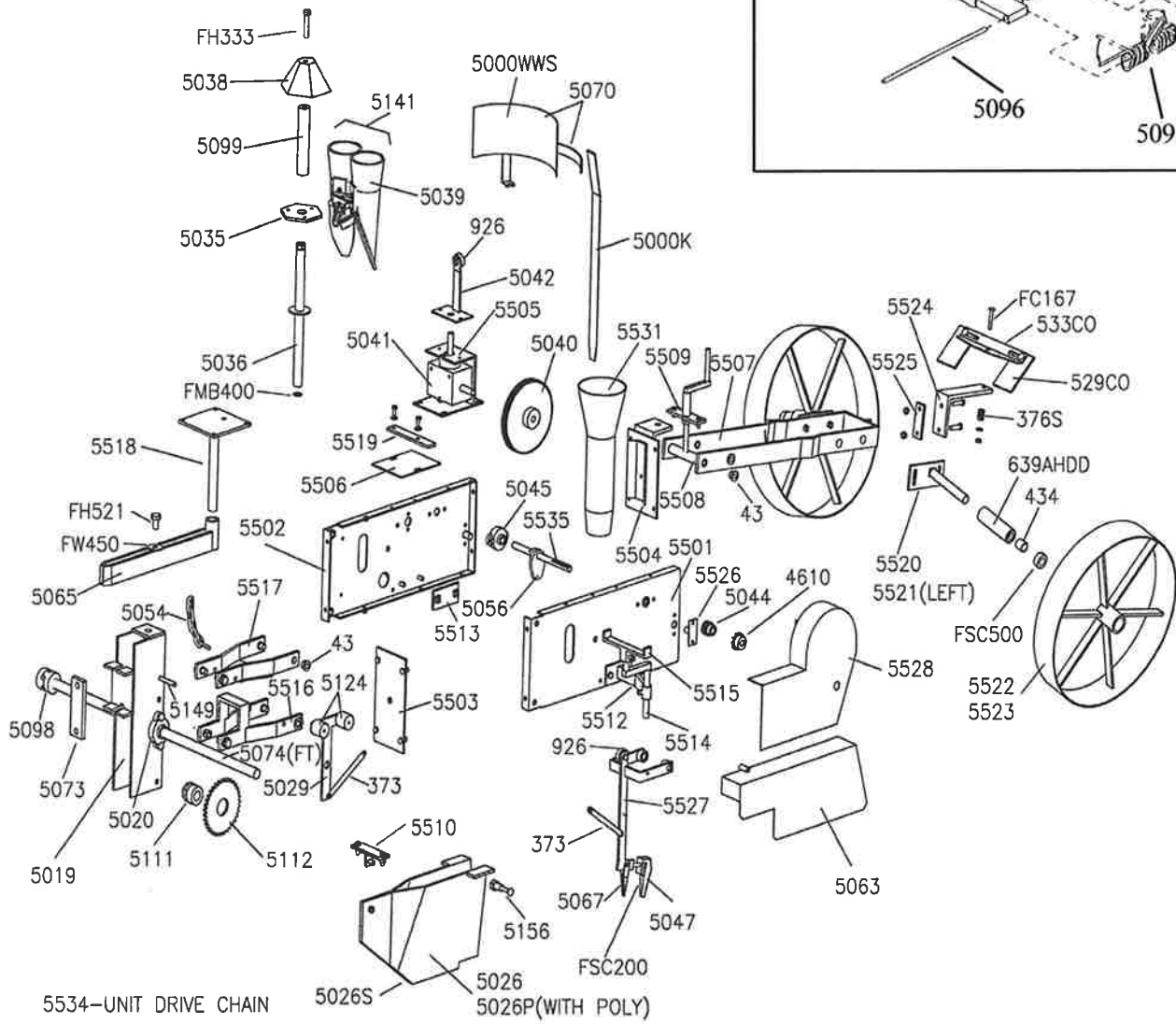
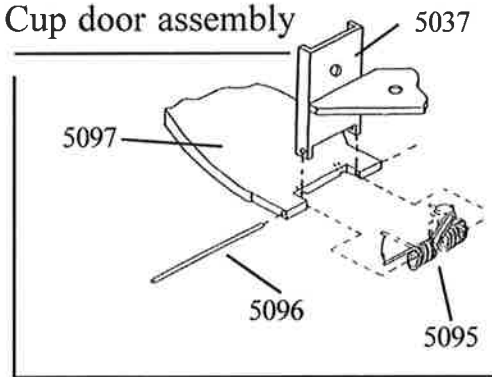
1150 Central Avenue

Holland, Michigan 49423

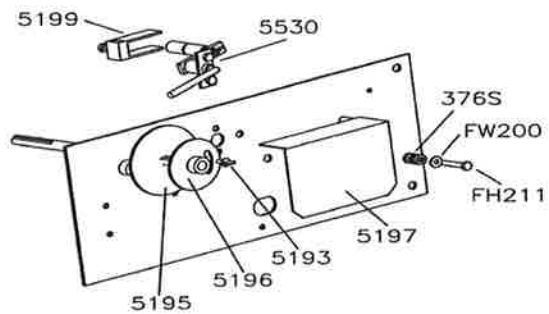
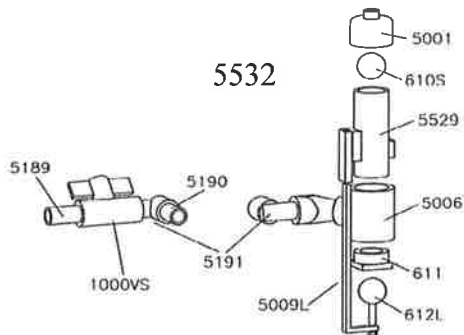
(616) 396-8738 * (800) 757-5268 * fax: (616) 396-3619

www.mechanicaltransplanter.com * mtc@mechanicaltransplanter.com

Cup door assembly

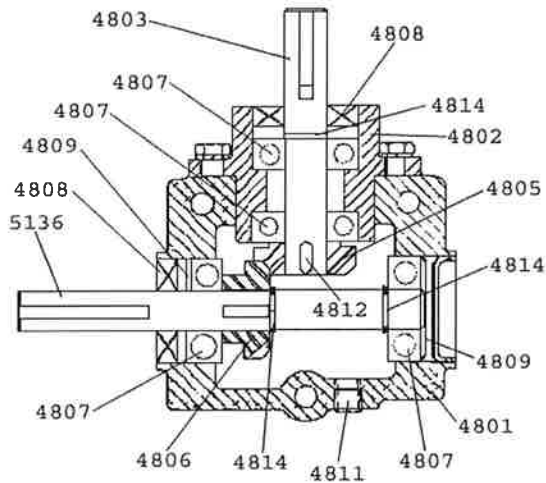


Water valve and trip parts

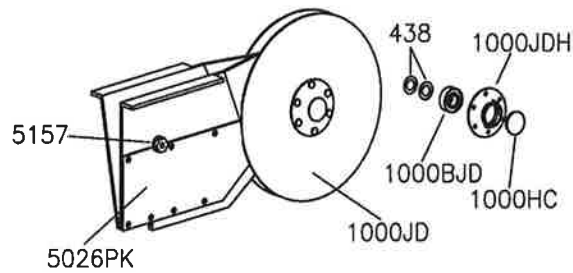


Gearbox Parts

4801	Gear box main housing
4802	Gear box pinion housing
4803	Gear box pinion shaft
4805	Gear box gear shaft gear
4806	Gear box bearing
4807	Gear box seal
4808	Gear box large snap ring
4809	Gear box pipe plug
4811	Gear box key
4812	Gear box small snap ring
4814	Gear box input shaft
5136	

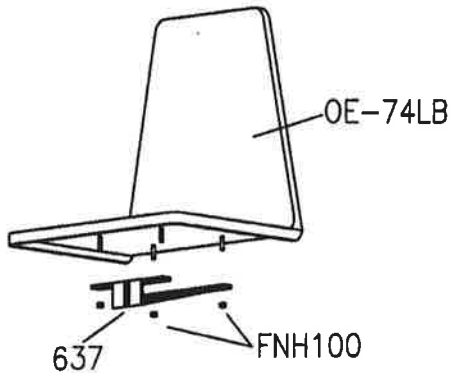


5026DDS & 5026DDSP Double Disk/Poly Double Disk Shoe



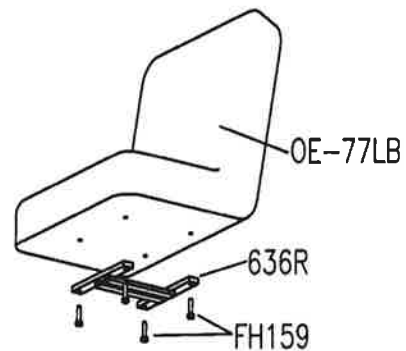
438	3/4" machinery bushing
1000BJD	Double disc bearing
1000HC	Double disc hub cap
1000JD	Disc with hub
1000JDH	Hub with fasteners
5026PK	Poly kit
5157	Shoe adjustment bolt assembly

OE-74 Fiberglass Seat



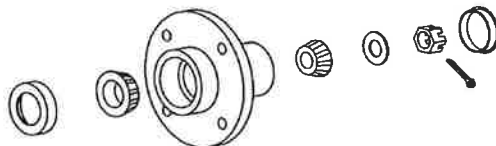
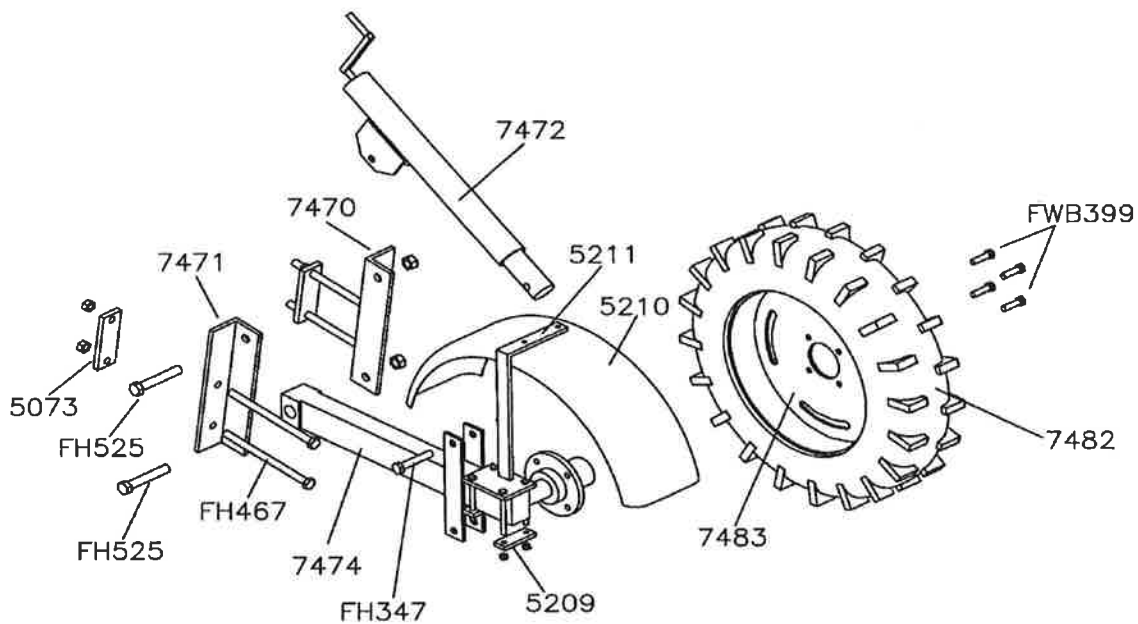
636R	Cushion seat bracket (red)
637	Fiberglass seat bracket
OE 74LB	Fiberglass seat less bracket
OE 77LB	Cushion seat less bracket
FH159	5/16x1" hex head cap screw
FNH100	1/4" hex nut

OE-77 Cushion Seat

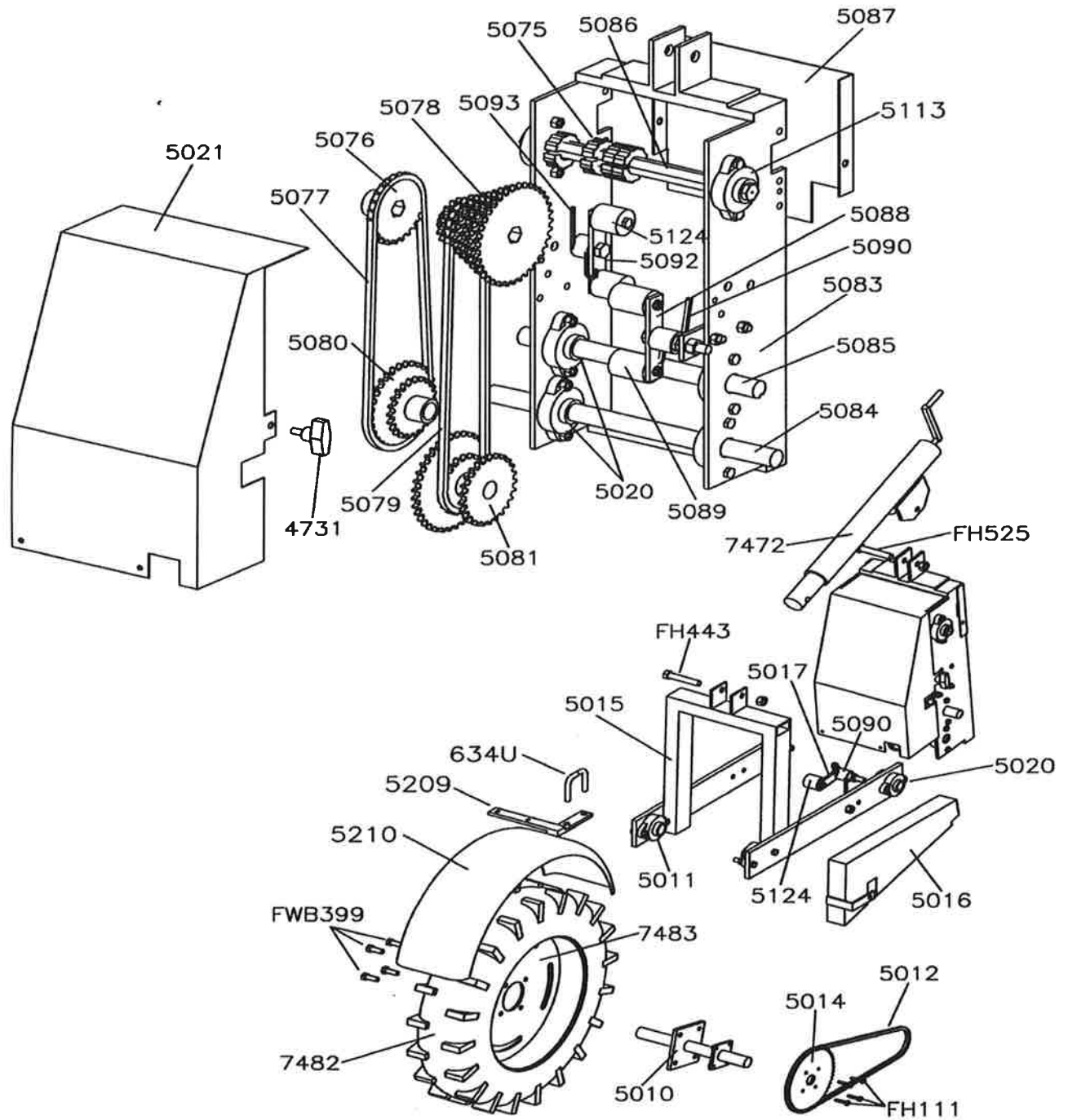


OE 90 Guage Wheel Drive Parts

4731	Bolt with handle for guard	5087	Small drive guard
5010	Drive wheel hub	5088	Chain tightener bracket
5011	1-1/4" Flange block bearing	5089	2" Roller for chain tightener
5012	Drive wheel chain	5090	7 Coil chain tightener spring
5014	50 Tooth drive sprocket	5092	Chain tightener bracket
5015	Main drive wheel frame	5093	5 Coil chain tightener spring
5016	Rear drive sprocketchain guard	5113	7/8" Hex flange block bearing
5017	Chain tightener arm	5124	Chain tightener roller (1-1/2" long)
5020	1" Flange block bearing	5210	Fender less mounting bracket
5021	Large drive guard	5211	Dummy guage wheel fender bracket
5075	Rubber spacer	5212	Drive wheel fender mounting bracket
5076	Single hex bore sprocket	5213	Fender assembly for dummy guage wheel
5077	Double sprocket cluster chain	5214	Fender assembly for drive wheel
5078	Six sprocket cluster	7472	Crank jack
5079	Six sprocket cluster chain	7482	5.90x15 Traction tire
5080	Double sprocket cluster	7483	Wheel rim only
5081	Triple sprocket cluster	FH111	1/4x1-1/4 Hex head bolt
5083	Drive frame	FH525	3/4x4" Hex head bolt
5084	Lower drive shaft	FH443	5/8x3-1/2" Hex head bolt
5085	Middle drive shaft	FWB399	9/16x1-3/4" Wheel stud bolt
5086	Upper hex drive shaft		

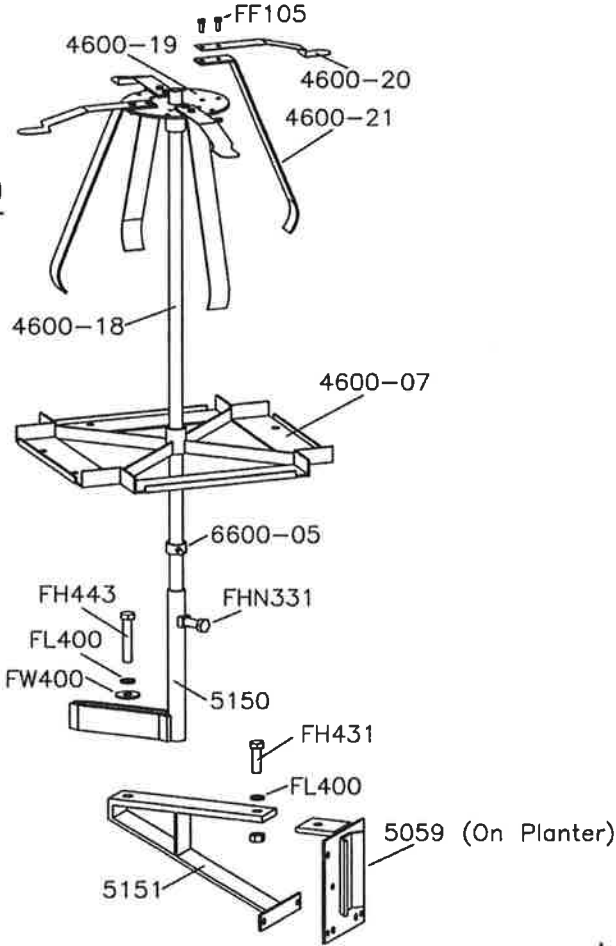


COMPLETE HUB ASSEMBLY — PART #7475
 BEARINGS AND SEALS — PART #7476

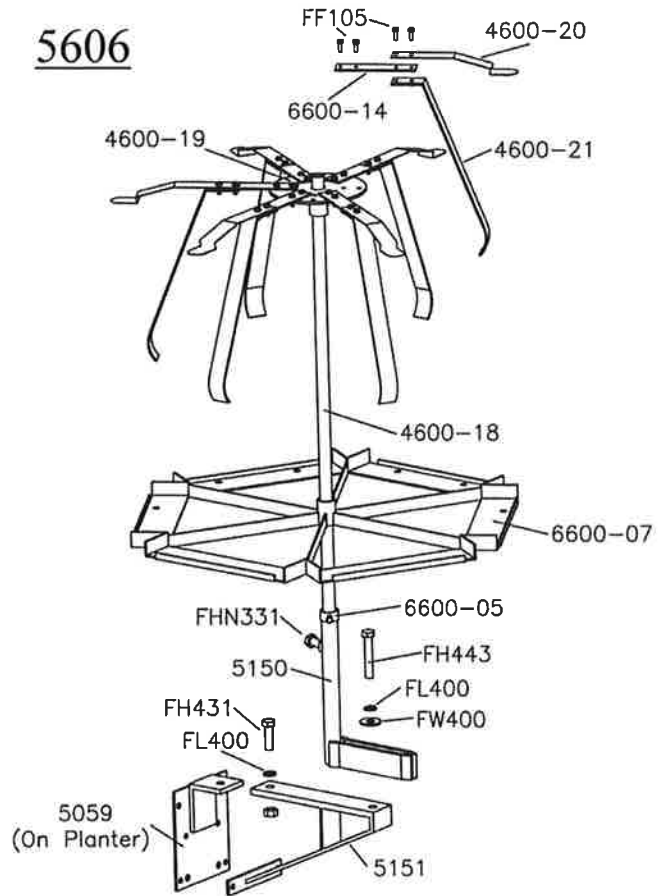


Carrousel Tray Holders

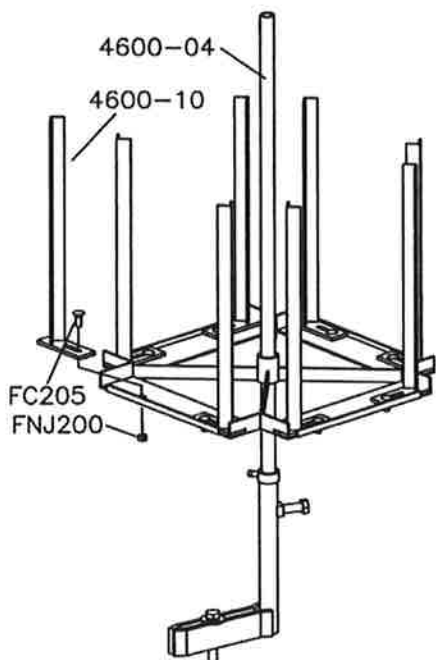
5600



5606



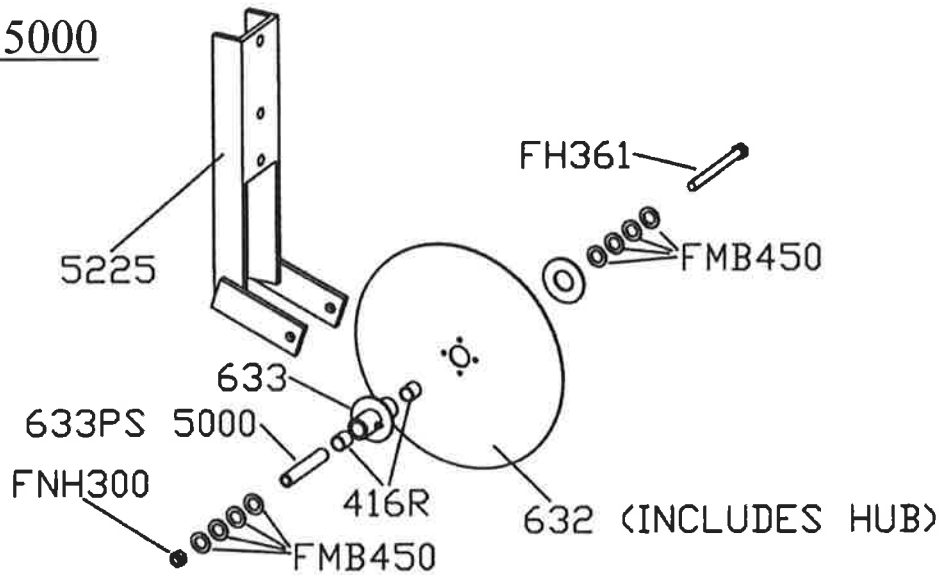
5601



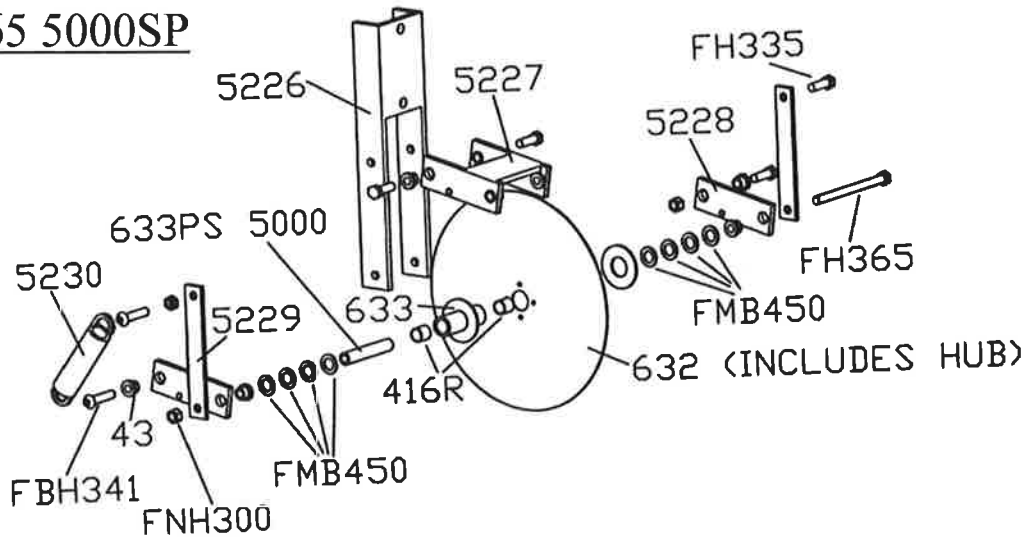
4600-04	Plastic Tray Pipe
4600-07	4 Place Bottom Tray
4600-10	Plastic Tray Holder Arm
4600-18	Carrousel Pipe
4600-19	Top Disc
4600-20	Top Spring Plate
4600-21	Back Spring Plate
5150	Carrousel Arm
5151	Carrousel Base
6600-05	Carrousel Collar
6600-07	6 Place Bottom Tray
FC205	3/8x3/4" Carriage Bolt
FF105	1/4x3/4" Flange Bolt
FH431	5/8x2" Hex Head Bolt
FH443	5/8x3-1/2" Hex Head Bolt
FHN331	1/2x1" Nylon Hex Head Bolt
FL400	5/8" Lock Washer
FNJ200	3/8" Jam Nut
FW400	5/8" Flat Washer

Coulter Options

OE 65 5000



OE 65 5000SP



43	1/2" Bushing with Shoulder	5228	Bottom Scissor Arm (ea)
416R	3/4" Bushing for Coulters	5229	Back Leg for Scissor
632	14" Coulter with Hub	5230	Coulter Spring
633	Coulter Hub (Includes 416r's)	FBH341	1/2x2-1/4" Button Head Bolt
633PS 5000	Pipe Spacer	FH335	1/2x1-1/2" Hex Head Bolt
5225	Bracket for Rigid Coulter Assm.	FH361	1/2x5-1/2" Hex Head Bolt
5226	Bracket for Spring Loaded Coulter Assm.	FH365	1/2x6-1/2" Hex Head Bolt
5227	Top Scissor Arm	FMB450	3/4" Machinery Bushing
		FNH300	1/2" Hex Nut

Safety Precautions

1. Make sure tractor is stopped and in neutral with the transplanter lowered to the ground before getting on and off the unit.
2. No operator is allowed to be on the unit as it is raised and lowered.
3. No operator is allowed on the transplanter as it is transported to or from the field.
4. All operators must be seated before movement begins and remain seated until the transplanter is completely stopped.
5. Never leave the transplanter in the raised position.
6. Keep all shields and guards in place when operating the transplanter.
7. Never attempt repairs or maintenance while the transplanter is in motion.
8. Never put the tractor in reverse while the transplanter is on the ground.
9. Follow all safety instructions supplied by the tractor manufacturer to which the transplanter is mounted.

MACHINE IMPROVEMENTS

MECHANICAL TRANSPLANTER CO. IS ALWAYS STRIVING TO MAKE IMPROVEMENTS ON THEIR LINE OF EQUIPMENT. MECHANICAL TRANSPLANTER CO. RESERVES THE RIGHT TO MAKE IMPROVEMENTS AND CHANGES AT ANY TIME WITHOUT INCURRING OBLIGATIONS TO MAKE SUCH CHANGES OR ADDITIONS TO EQUIPMENT PREVIOUSLY SOLD.

Limited Warranty

Mechanical Transplanter Company warrants each item of new equipment manufactured by Mechanical to be free from defects in material and workmanship under normal use and service.

The obligation of Mechanical Transplanter Company under this LIMITED WARRANTY is limited to repairing or replacing as Mechanical may elect, and any parts that prove, in Mechanical's judgment, to be defective in material and workmanship within the first season's use or 45 consecutive days after initially placing equipment in operation, whichever occurs first. Any outside work or alterations without Mechanical's written approval will render the LIMITED WARRANTY void.

Mechanical's obligation specifically excludes any liability for consequential damages, such as loss of profits, delays, expenses, damage to goods or property used in connection with or processed in or by the product sold, or damage to the product sold from whatsoever cause, whether or not such loss is due to negligence of selling dealer of Mechanical Transplanter Company.

This limited warranty shall not apply to any item or machine which shall have been operated in a manner not recommended by the Company nor which shall have been repaired, altered, misused, damaged in an accident, neglected, tampered with or used in any way which in the Company's opinion adversely affects its performance and results.

No person is authorized to give any other warranties or to assume any other liability on behalf of Mechanical Transplanter Company, unless made in writing by Mechanical.

This limited warranty covers repair or replacement of Mechanical Transplanter Co. equipment only and does not cover crop loss, downtime, labor, damage to other equipment, etc.

This limited warranty does not apply to exterior finishes, tires, chain links, bearings, or any other items sold by Mechanical Transplanter Co., but warranted by the original manufacturer except to the extent of their individual manufacturer's warranty.

THIS LIMITED WARRANTY IS IN LIEU OF ALL OTHER WARRANTIES, EXPRESSED OR IMPLIED. WARRANTIES OF MERCHANTABILITY AND FITNESS FOR PARTICULAR PURPOSE ARE EXCLUDED, AS ARE ALL OTHER REPRESENTATIONS TO THE USER-PURCHASER, AND ALL OTHER OBLIGATIONS OR LIABILITIES, INCLUDING LIABILITY FOR INCIDENTAL AND CONSEQUENTIAL DAMAGES, ON THE PART OF MECHANICAL OR THE SELLER.

Mechanical Transplanter Company * 1150 Central Avenue * Holland, MI 49423

Phone: 800-757-5268 * 616-396-8738 or Fax: 616-396-3619