

# Model 5000 Parts List

43	1/2" Shoulder bushing	5054	Lift chain on scissor hitch
373	Unit chin tightener and kicker spring	5055	Crank Assembly for ski
376S	Tension spring	5056	Kicker cam
434	7/8" Oilite bushing	5057	Drop tube
610 89	Air valve float ball	5058	U-shaped clip for tube
611	Nylon water valve seat	5059	Rear frame plate
612L	Ball valve with brass pin (after 2000)	5060	Footrest clips
926	Sealed bearing	5061	Footrest
1000VS	Water valve shut off	5063	Front chain guard
4610	10 tooth, 5/8" bore sprocket	5064	Large spur gear guard
4712	5/8" Bearing for kicker plate	5065	Swing arm for seat
4718	12 Tooth, 5/8" bore sprocket (wide spacing)	5066	Kicker arm mounting plate
4801	Gear box main housing	5067	Shoe cleaner
4802	Gear box pinion housing	5070	Windshield
4803	Gear box pinion shaft	5071	Seat bracket
4805	Gear box pinion shaft gear	5072	Leveling arm
4806	Gear box gear shaft gear	5073	Front toolbar mounting plate
4807	Gear box bearing	5074	1" Stainless steel drive shaft (per foot)
4808	Gear box seal	5082	Unit drive chain
4809	Gear box large snap ring	5095	Cup door spring
4811	Gear box pipe plug	5096	Door hinge pin
4812	Gear box key	5097	Door for cup
4814	Gear box small snap ring	5098	1" coupler
5000K	Kicker deflector	5099	Pipe timing lock
5000WWS	Plastic shield only	5111	Transtorque bushing
5001	Water valve cap	5112	35 Tooth plate sprocket
5004	Water valve housing	5124	1-1/2" chain tightener roller
5006	Water valve "T"	5136	Gear box input shaft
5009L	Water pump rod (after 2000)	5140	Complete top
5012	Drive wheel chain	5141	Twin cup mounting
5019	Mounting Bracket	5149	Pin for mounting front chain guard
5020	1" Flange block bearing	5156	Shoe adjustment bolt assembly
5023	Front frame plate	5159	Inspection plate
5024	Top scissors hitch bracket	5160	Guard support
5025	Bottom scissors hitch bracket	5189	Hose barb
5026	Adjustable shoe	5190	Coupler
5026P	Poly sided adjustable shoe	5191	90 degree elbow
5026S	Shoe skag	5193	Thumb screw
5027	Main frame plate, left	5194	Cam shaft
5028	Main frame plate, right	5195	Large inside dial
5029	Unit chain tightener bracket	5196	Small outside dial
5030	14" Wide ski bottom	5197	Water dial guard
5030N	10" Wide ski bottom	5198	Water trip arm complete
5031	Stainless Steel screw for ski	5198R	Rollers and bolt for trip arm
5032	1/4" Hex nut	5199	Trip channel on pump rod
5033	Metal top of ski	5200	5000 Water valve (after 1999)
5034	Ski support arm	5202	22 Tooth plate sprocket (wide spacing)
5035	Hex locking plate	5203	Left rear packer pad
5036	Center post for cups	5204	Right rear packer pad
5037	Cup mounting bracket	5205	Left bracket for #5203
5038	Plastic deflector cap for cups	5206	Right bracket for #5204
5039	Cup tube	5207	Short to long packer pad conversion
5040	90 Tooth spur gear	FC209	3/8x1" Carriage bolt
5041	2 Shaft gear box	FH211	3/8x1-1/4" Hex head bolt
5042	Cup trip bracket	FH221	3/8x2-1/2 Hex head bolt
5043	Gear box mounting plate	FH333	1/2x1-1/4" Hex head bolt
5044	15 Tooth spur gear	FH521	3/4x3-1/2" Hex head bolt
5045	5/8" Flange block bearing	FHN435	5/8x2-1/2" Nylon hex head bolt
5046	5/16x3/4" Thumb screw	FMB400	5/8" Machinery bushing
5047	Aluminum kicker	FNH200	3/8" Hex nut
5049	Miain kicker arm	FSC200	3/8" set collar
5051	Ski adjustment yoke	FW200	3/8" U.S.S. flat wاهر
5052	Shoe Mounting bracket	FW450	3/4" U.S.S flat washer
5053B	Brass ski adjustment nut		

Mechanical Transplanter Company, LLC

1150 Central Avenue

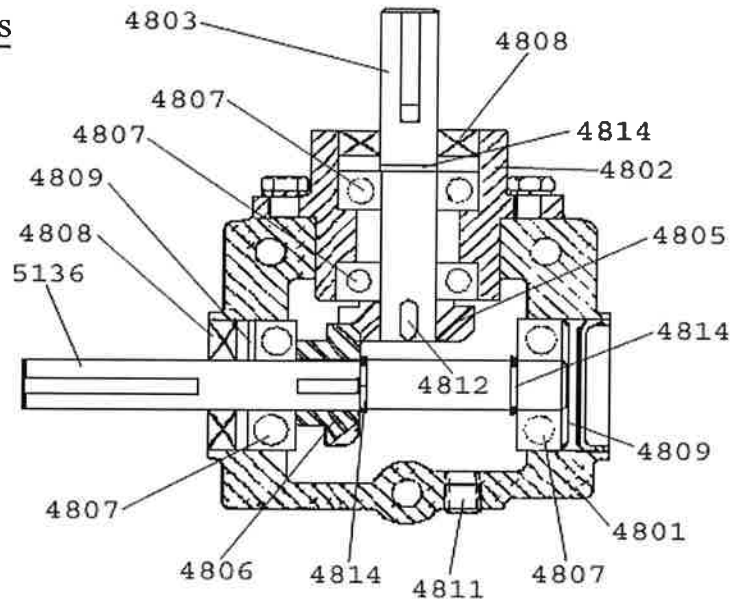
Holland, Michigan 49423

(616) 396-8738 \* (800) 757-5268 \* fax: (616) 396-3619

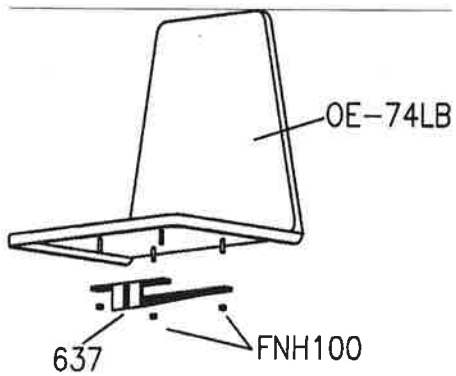
www.mechanicaltransplanter.com \* mtc@mechanicaltransplanter.com



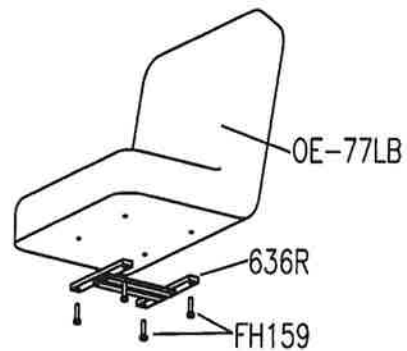
## Gearbox Parts



## OE-74 Fiberglass Seat



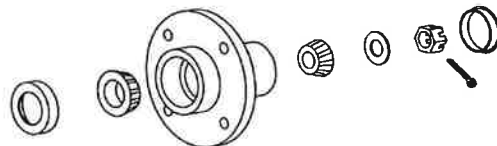
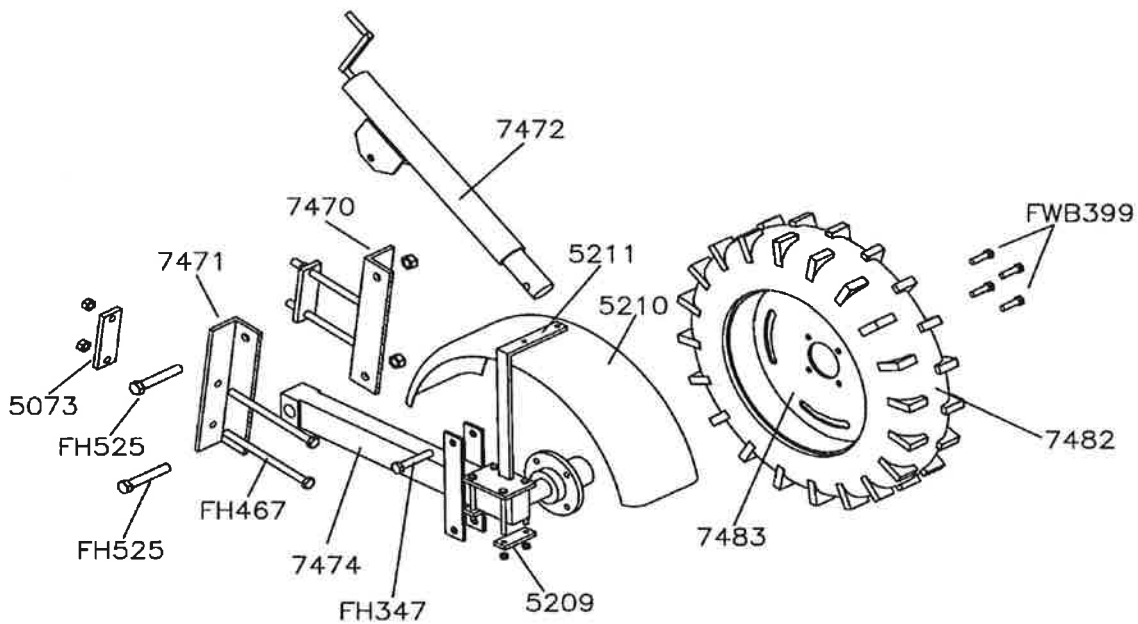
## OE-77 Cushion Seat



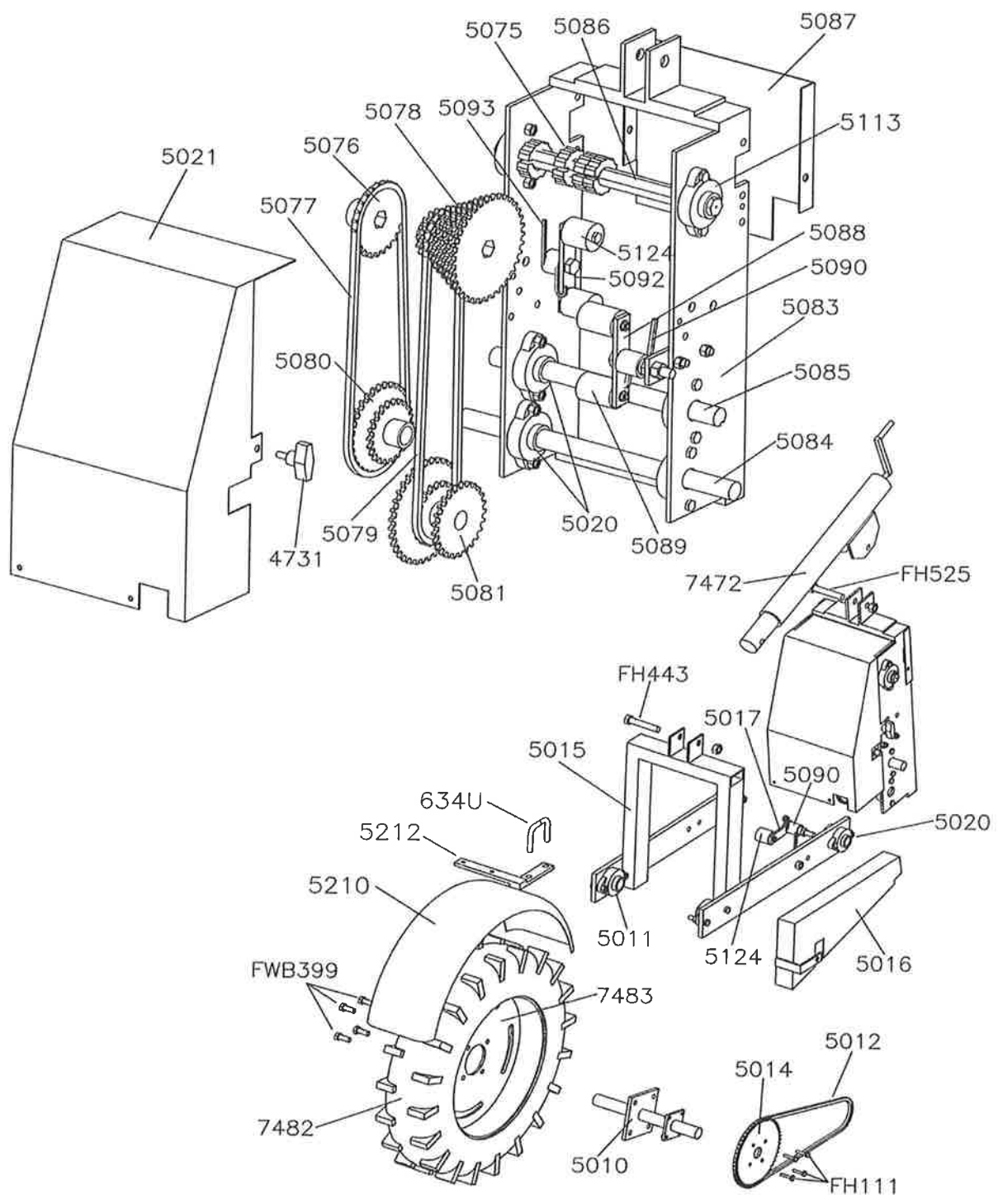
- 636R Cushion seat bracket (red)
- 637 Fiberglass seat bracket
- OE 74LB Fiberglass seat less bracket
- OE 77LB Cushion seat less bracket
- FH159 5/16x1" hex head cap screw
- FNH100 1/4" hex nut

# OE 90 Gauge Wheel Drive Parts

4731	Bolt with handle for guard	5087	Small drive guard
5010	Drive wheel hub	5088	Chain tightener bracket
5011	1-1/4" Flange block bearing	5089	2" Roller for chain tightener
5012	Drive wheel chain	5090	7 Coil chain tightener spring
5014	50 Tooth drive sprocket	5092	Chain tightener bracket
5015	Main drive wheel frame	5093	5 Coil chain tightener spring
5016	Rear drive sprocketchain guard	5113	7/8" Hex flange block bearing
5017	Chain tightener arm	5124	Chain tightener roller (1-1/2" long)
5020	1" Flange block bearing	5210	Fender less mounting bracket
5021	Large drive guard	5211	Dummy guage wheel fender bracket
5075	Rubber spacer	5212	Drive wheel fender mounting bracket
5076	Single hex bore sprocket	5213	Fender assembly for dummy guage wheel
5077	Double sprocket cluster chain	5214	Fender assembly for drive wheel
5078	Six sprocket cluster	7472	Crank jack
5079	Six sprocket cluster chain	7482	5.90x15 Traction tire
5080	Double sprocket cluster	7483	Wheel rim only
5081	Triple sprocket cluster	FH111	1/4x1-1/4 Hex head bolt
5083	Drive frame	FH525	3/4x4" Hex head bolt
5084	Lower drive shaft	FH443	5/8x3-1/2" Hex head bolt
5085	Middle drive shaft	FWB399	9/16x1-3/4" Wheel stud bolt
5086	Upper hex drive shaft		

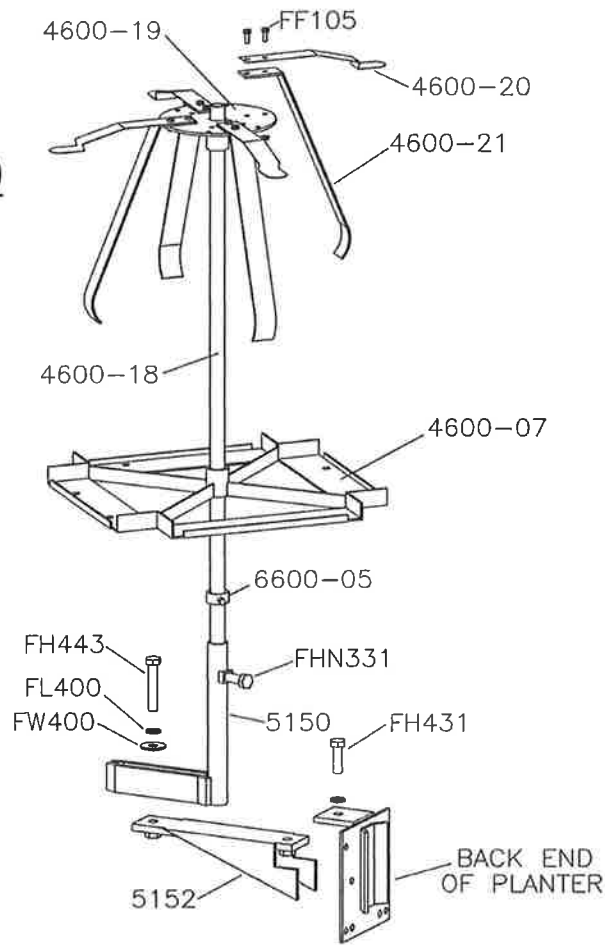


COMPLETE HUB ASSEMBLY — PART #7475  
BEARINGS AND SEALS — PART #7476

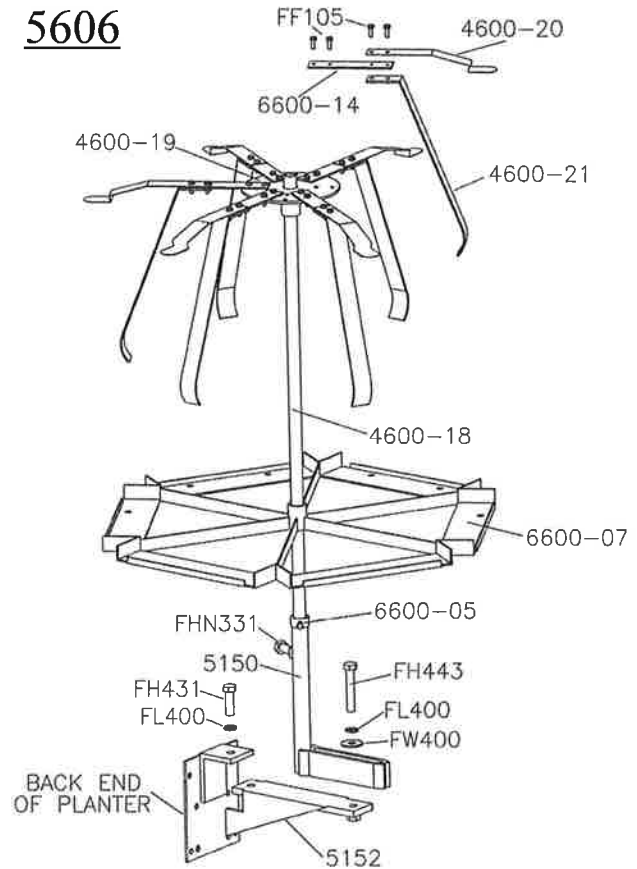


# Carrousel Tray Holders

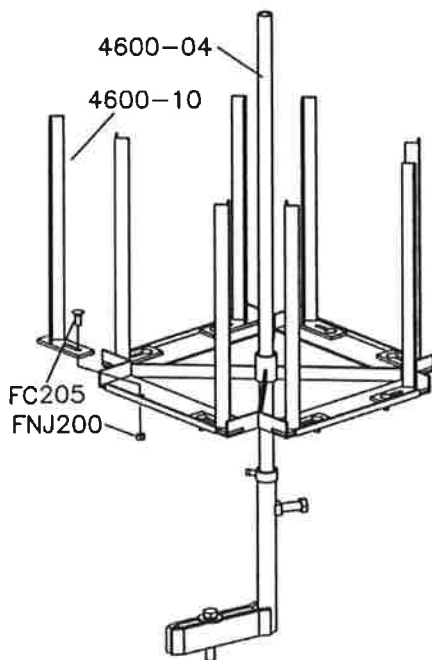
5600



5606



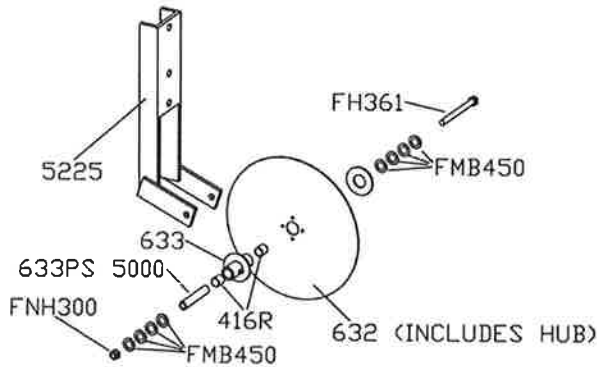
5601



- 4600-04 Plastic Tray Pipe
- 4600-07 4 Place Bottom Tray
- 4600-10 Plastic Tray Holder Arm
- 4600-18 Carrousel Pipe
- 4600-19 Top Disc
- 4600-20 Top Spring Plate
- 4600-21 Back Spring Plate
- 5150 Carrousel Arm
- 5152 Carrousel Base
- 6600-05 Carrousel Collar
- 6600-07 6 Place Bottom Tray
- FC205 3/8x3/4" Carriage Bolt
- FF105 1/4x3/4" Flange Bolt
- FH431 5/8x2" Hex Head Bolt
- FH443 5/8x3-1/2" Hex Head Bolt
- FHN331 1/2x1" Nylon Hex Head Bolt
- FL400 5/8" Lock Washer
- FNJ200 3/8" Jam Nut
- FW400 5/8" Flat Washer

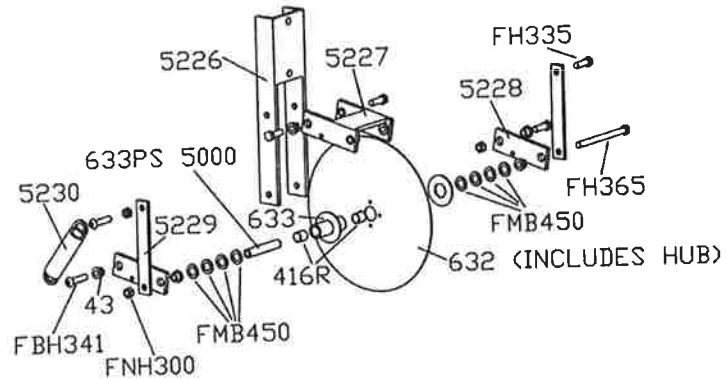
# Coulter Options

## OE 65 5000



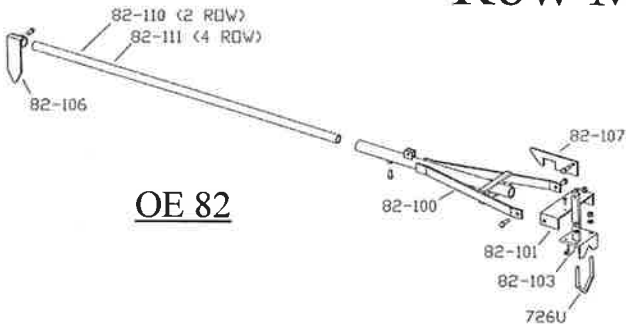
- |            |   |
|------------|---|
| 43         | 1/2" Bushing with Shoulder              |
| 416R       | 3/4" Bushing for Coulters               |
| 632        | 14" Coulter with Hub                    |
| 633        | Coulter Hub (Includes 416R's)           |
| 633PS 5000 | Pipe Spacer                             |
| 5225       | Bracket for Rigid Coulter Assm.         |
| 5226       | Bracket for Spring Loaded Coulter Assm. |
| 5227       | Top Scissor Arm                         |

## OE 65 5000SP

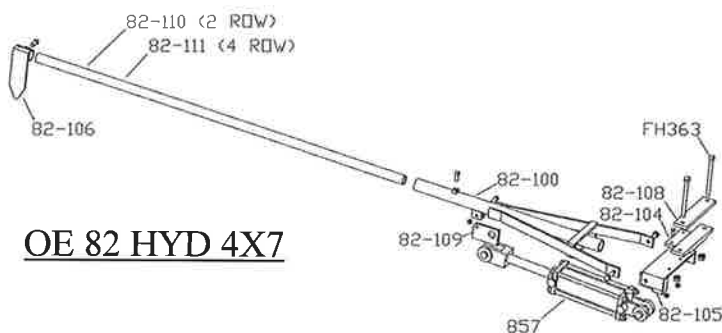


- |        |                             |
|--------|-----------------------------|
| 5228   | Bottom Scissor Arm (ea)     |
| 5229   | Back Leg for Scissor        |
| 5230   | Coulter Spring              |
| FBH341 | 1/2x2-1/4" Button Head Bolt |
| FH335  | 1/2x1-1/2" Hex Head Bolt    |
| FH361  | 1/2x5-1/2" Hex Head Bolt    |
| FH365  | 1/2x6-1/2" Hex Head Bolt    |
| FMB450 | 3/4" Machinery Bushing      |
| FNH300 | 1/2" Hex Nut                |

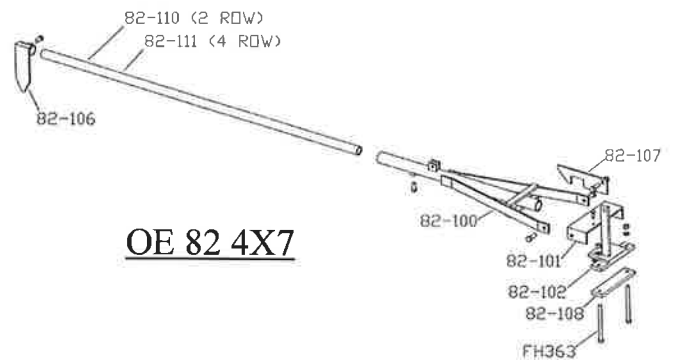
# Row Marker Options



## OE 82



## OE 82 HYD 4X7



## OE 82 4X7

- |        |                               |        |                                |
|--------|-------------------------------|--------|--------------------------------|
| 82-100 | A-Frame                       | 82-108 | 1/2 x 2 x 9-1/8 Securing Plate |
| 82-101 | Swivel Bracket                | 82-109 | Cylinder Swivel                |
| 82-102 | Latch Bracket for 4x7 Bar     | 82-110 | 2-Row Pipe                     |
| 82-103 | Latch Bracket for Diamond Bar | 82-111 | 4-Row Pipe                     |
| 82-104 | Toolbar Mounting Bracket      | 726U   | 1/2" U-Bolt for Toolbar Clamps |
| 82-105 | Swivel with Cylinder Mount    | 857    | 3 x 8" Hydraulic Cylinder      |
| 82-106 | Marker Point                  | FH363  | 1/2 x 6" Hex Head Bolt         |
| 82-107 | Latch                         |        |                                |

# Safety Precautions

1. Make sure tractor is stopped and in neutral with the transplanter lowered to the ground before getting on and off the unit.
2. No operator is allowed to be on the unit as it is raised and lowered.
3. No operator is allowed on the transplanter as it is transported to or from the field.
4. All operators must be seated before movement begins and remain seated until the transplanter is completely stopped.
5. Never leave the transplanter in the raised position.
6. Keep all shields and guards in place when operating the transplanter.
7. Never attempt repairs or maintenance while the transplanter is in motion.
8. Never put the tractor in reverse while the transplanter is on the ground.
9. Follow all safety instructions supplied by the tractor manufacturer to which the transplanter is mounted.

## **MACHINE IMPROVEMENTS**

*MECHANICAL TRANSPLANTER CO. IS ALWAYS STRIVING TO MAKE IMPROVEMENTS ON THEIR LINE OF EQUIPMENT. MECHANICAL TRANSPLANTER CO. RESERVES THE RIGHT TO MAKE IMPROVEMENTS AND CHANGES AT ANY TIME WITHOUT INCURRING OBLIGATIONS TO MAKE SUCH CHANGES OR ADDITIONS TO EQUIPMENT PREVIOUSLY SOLD.*

## **Limited Warranty**

Mechanical Transplanter Company warrants each item of new equipment manufactured by Mechanical to be free from defects in material and workmanship under normal use and service.

The obligation of Mechanical Transplanter Company under this LIMITED WARRANTY is limited to repairing or replacing as Mechanical may elect, and any parts that prove, in Mechanical's judgment, to be defective in material and workmanship within the first season's use or 45 consecutive days after initially placing equipment in operation, whichever occurs first. Any outside work or alterations without Mechanical's written approval will render the LIMITED WARRANTY void.

Mechanical's obligation specifically excludes any liability for consequential damages, such as loss of profits, delays, expenses, damage to goods or property used in connection with or processed in or by the product sold, or damage to the product sold from whatsoever cause, whether or not such loss is due to negligence of selling dealer of Mechanical Transplanter Company.

This limited warranty shall not apply to any item or machine which shall have been operated in a manner not recommended by the Company nor which shall have been repaired, altered, misused, damaged in an accident, neglected, tampered with or used in any way which in the Company's opinion adversely affects its performance and results.

No person is authorized to give any other warranties or to assume any other liability on behalf of Mechanical Transplanter Company, unless made in writing by Mechanical.

This limited warranty covers repair or replacement of Mechanical Transplanter Co. equipment only and does not cover crop loss, downtime, labor, damage to other equipment, etc.

This limited warranty does not apply to exterior finishes, tires, chain links, bearings, or any other items sold by Mechanical Transplanter Co., but warranted by the original manufacturer except to the extent of their individual manufacturer's warranty.

THIS LIMITED WARRANTY IS IN LIEU OF ALL OTHER WARRANTIES, EXPRESSED OR IMPLIED. WARRANTIES OF MERCHANT ABILITY AND FITNESS FOR PARTICULAR PURPOSE ARE EXCLUDED, AS ARE ALL OTHER REPRESENTATIONS TO THE USER-PURCHASER, AND ALL OTHER OBLIGATIONS OR LIABILITIES, INCLUDING LIABILITY FOR INCIDENTAL AND CONSEQUENTIAL DAMAGES, ON THE PART OF MECHANICAL OR THE SELLER.

**Mechanical Transplanter Company \* 1150 Central Avenue \* Holland, MI 49423**  
**Phone: 800-757-5268 \* 616-396-8738 or Fax: 616-396-3619**