

# Mechanical Transplanter Company

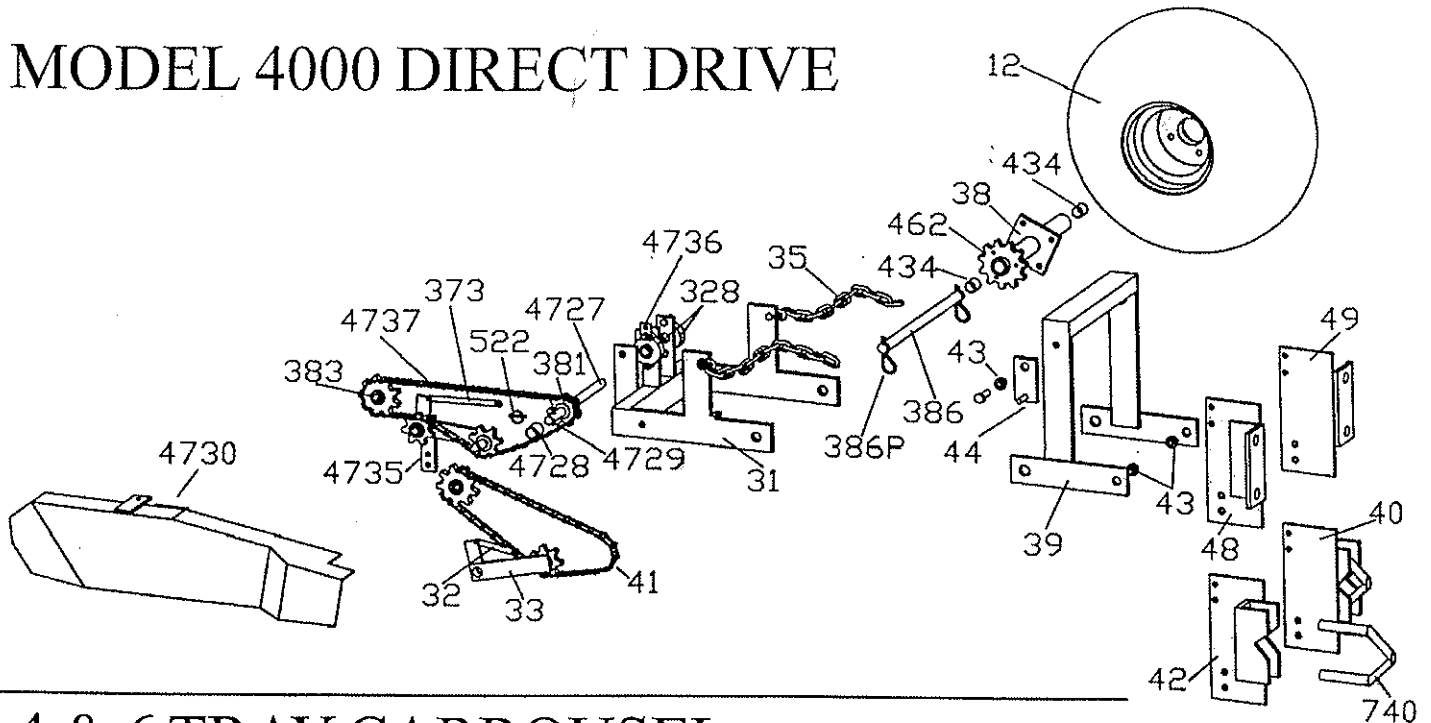
## Parts List for Model 4000

12	Direct drive tire & rim	4618	5/8" 18 tooth sprocket (N S)	4731	Bolt w/handle for chain guard
13	Direct drive wheel stud bolt	4622	3/4" 22 Tooth sprocket (N S)	4732	Drive shaft
30	Chain tightener pipe bushing	4624	5/8" 24 Tooth sprocket (N S)	4735	Chain tightener complete
31	Main frame rear half	4626	5/8" 26 Tooth sprocket (N S)	4736	Chain tightener spring mtg. bracket
32	Wheel chain tightener spring	4648	Footrest	4737	Main drive chain for direct drive
33	Wheel chain tightener	4649	4000 Planter frame only	4738	Chain tightener pipe bearing
35	Lift chain	4650	Chain guard	4739	Chain guard mounting bracket
38	Drive wheel hub w/sprocket	4652	Rod end only	4740	Counter balance clip
39	Main frame front half	4653	Water trip plate	4741	Metering top plug
40	Left clamp less U-bolt	4654	5/16" Hex nut SAE thread	4748	Counter balance spring holder
41	34 Link #32 steel chain	4655	5/16" Threaded rod (4-1/2"long)	4750	Water valve spout
42	Right clamp less U-bolt	4656	Kicker adjustment arm cmp.(N S)	4801	Gear box main housing
43	Bushing for clamp	4657	Bottom swivel kicker	4802	Gear box pinion housing
44	Chain lift plate	4662	5/16 x 3/8" Socket shoulder bolt	4803	Gear box pinion shaft
45	Left 4x7 direct drive clamp	4663	1/2" Washer (x5/16")	4804	Gear box gear shaft
46	Right 4x7 direct drive clamp	4665	Straight leg of kicker arm w/bearing	4805	Gear box pinion shaft gear
47	Plate for 4x7 direct drive clamp	4666	Top leg of kicker arm w/bearing	4806	Gear box gear shaft gear
308	2" Red U.S.S. Flat Washer	4667	5/16 x 5/16" Oilite bearing	4807	Gear box bearing
328	3/4" Flange block	4668	Bottom leg of kicker arm	4808	Gear box seal
373	Chain tightener spring	4669	Kicker arm cmp.less swivel (N S)	4809	Gear box snap ring
376S	Tension spring	4672	1/2" Moon keyway	4810	Gear box shim - pinion housing
381	7 Tooth spacing sprocket	4673	3/4" 14 Tooth sprocket	4811	Gear box pipe plug
383	9 Tooth spacing sprocket	4674	3/4" Main drive shaft	4812	Gear box key - pinion
386	Direct drive drawbar shaft	4675	#40 Roller drive chain (59 links)	4813	Gear box spacer
386P	Shaft clip pin	4678	Axle - Right side	4751	Galvanized kicker insert
416	3/4" Oilite bearing	4679	Axle - Left side (N S)	4752	Rubber skirt
434	7/8" Oilite bearing	4680C	High carbon shoe	6743	Top washer w/tapped holes
462	11 Tooth wheel sprocket	4683	Shoe brace	6744	9/16" Special washer drilled out
521	Roll pin	4684	Guard for spur gear	6745	U-clip for galvanized insert
522	Clip pin	4685	Drop tube for direct drive	6747	"S" clip for windshield and skirt
529	Scraper blade	4685RD	Drop tube for rear drive	FC167	5/16 x 2" Carriage bolt
530	Scraper mounting bracket	4689	Pipe spacer for shoe	FC205	3/8 x 3/4" Carriage bolt
533	Wheel scraper complete	4691	5/8 x 3-1/2" bolt w/keyway	FC209	3/8 x 1" Carriage bolt
602 89	U-bolt with nuts	4693	Roller chain tightener spring	FC299	7/16 x 5" Carriage bolt
604 89	Water adj. bracket	4694	Nylon chain tightener	FC335	1/2 x 1-1/2" Carriage bolt
605	Water trip rod	4698	Chain tightener arm	FH101	1/4 x 1/2" Hex head cap screw
606 89	1-1/2" Water valve housing	4700	Spur gear (24tooth)	FH103	1/4 x 5/8" Hex head cap screw
607L	Long water trip spring	4701	Spur gear (96 tooth) 5/8" hole	FH113	1/4 x 1-1/2" Hex head cap screw
609 89	Cap w/ nipple & rubber seat	4701DD	DD spur gear (96 tooth) 3/4" hole	FH151	5/16 x 1/2" Hex head cap screw
610 89	Air valve ball (after 1988)	4702	Chain tight. for #32 steel chain	FH155	5/16 x 3/4" Hex head cap screw
611	Nylon water valve seat	4703	#32 drive chain (22 link)	FH163	5/16 x 1-1/2" Hex head cap screw
612	Ball valve w/ pin (before 2000)	4706	Flat key stock	FH181	5/16 x 3-3/4" Hex head cap screw
612L	Ball valve w/pin (after 2000)	4707	Trap door cup (each)	FH205	3/8 x 3/4" Hex head cap screw
637	Fiberglass seat bracket	4708	Gear box	FH211	3/8 x 1-1/4" Hex head cap screw
639A	Adj. packing wheel & hub	4710	Kicker drive arm	FH215	3/8 x 1-3/4" Hex head cap screw
639AH	Rear drive adj packing wheel hub	4711	Grease fitting	FH235	3/8 x 4-1/2" Hex head cap screw
639AHDD	Direct drive adj. hub only	4712	5/8" Oilite bearing	FMB400	5/8" Machinery bushing
639AL	Adj. packing wheel less hub	4713	DD timing plate	FMB500	7/8" Machinery bushing
639WAL	Wide adj. packing wheel l/hub	4713RD	Rear drive timing plate	FNC100	1/4" Centerlock hex nut
642	Plastic cover for #605	4714	Metering top less doors and post	FNH100	1/4" Hex nut
715	3/8" U-bolt with nut	4715	Metering top complete	FNH200	3/8" Hex nut
726L	L-Shaped seat brace	4717	Die clamp (each)	FNH250	7/16" Hex nut
727	1/2" U-bolt for seat bracket	4718	5/8" 12 tooth sprocket	FNH300	1/2" Hex nut
837L	5/16" J-bolt	4719	Metering wheel post	FNH400	5/8" Hex nut
1000P	3/4" Close nipple	4721	Metal bearing with oilite bearing	FSC300	1/2" Set collar
1000PS	Single thread nipple	4724	Water valve bracket	FSC450	3/4" Set collar
1000VS	Water valve shut off	4725	5/16 x 1/2" Oilite bearing	FSC500	7/8" Set collar
4000K	Kicker deflector kit	4726	5/16 x 5/8" Socket shoulder bolt	FSQ149	5/16 x 3/8 Square head set screw
4000WS	4000 Wind protector	4727	Direct drive jackshaft	FW100	1/4" USS Flat washer
4000WWS	Windshield plastic	4728	Jackshaft pipe spacer	FW150	5/16" USS Flat washer
4610	5/8" 10 tooth sprocket	4729	Direct drive shear pin	FW300	1/2" USS Flat washer
4616	Water Valve Cmp. w/Mtg. bracket	4730	4000 Direct drive chain guard	OE74LB	Fiberglass seat l/bracket

\*(N S) Not shown

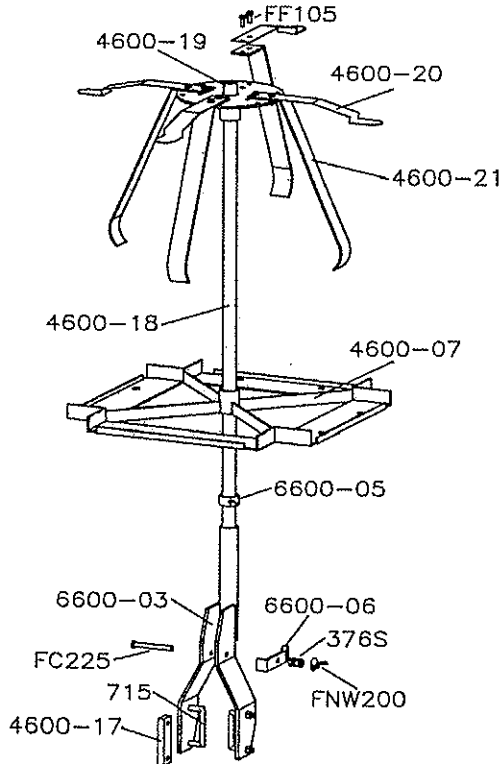


# MODEL 4000 DIRECT DRIVE

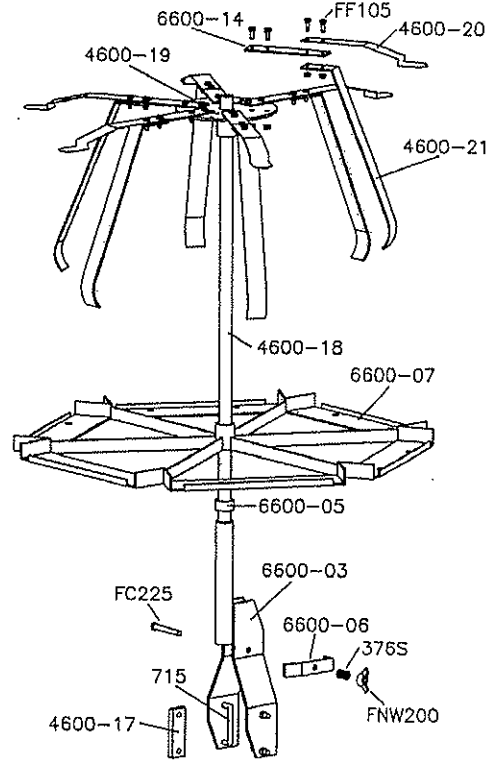


## 4 & 6 TRAY CARROUSEL

6600 CARROUSEL



6606 CARROUSEL



- FF105 1/4x3/4" Flange Screw
- FC225 3/8x3" Carriage Bolt
- FNW200 3/8" Wing Nut
- 376S Tension Spring
- 4600-07 4 Tray Bottom Tray Holder
- 4600-17 Spacer Plate (Model 4000 Only)
- 4600-18 Carrousel Pipe

- 4600-20 Top Spring Plate
- 4600-21 Back Spring Plate
- 6600-03 Carrousel Base
- 6600-05 Set Collar
- 6600-06 Brake Arm
- 6600-07 6 Tray Bottom Tray Holder
- 6600-14 6 Tray extension